



Chapter 4 - Illustrated Parts List

Model: ABS580

Description: T17220 - GROUND HANDLING COMPANY

Features: D2011/PST2

Table of Contents

- BRAKING
 - ◆ 9300595-B, BRAKING CIRCUIT - SPARE PARTS
- CHASSIS
 - ◆ ABS5S00010041200, CHASSIS EQUIPED - 503328-503329 -VIP- 503879
 - ◆ ABS5S00020001200, BRAKING AND PEDAL
 - ◆ BLSTS00030201200, ACCELERATION PEDAL - 5833846
 - ◆ ABS5S00040001200, PARKING BRAKE
 - ◆ ABS5S14030011200, FUEL AND HYDRAULIC TANK
 - ◆ ABS5S11010001201, WHEELS
- DRIVER CAB
 - ◆ ABS5S04010041200, CAB EQUIPMENT (CE VERSION)
 - ◆ ABS5S04110101200, CAB - PART 1/3 - 5900158-001
 - ◆ ABS5S04110201200, CAB - PART 2/3 - 5900158-002
 - ◆ ABS5S04110301200, CAB - PART 3/3 - 5900158-003
 - ◆ TM62S04020121200, CAB - LEFT DOOR - 5900161
 - ◆ ABS5S04020001200, CAB - MIRRORS
 - ◆ ABS5S04060001200, FRONT WIPER
 - ◆ ABS5S04090001200, REAR WIPER - 503108
- ELEC CONTROL
 - ◆ 0000S08000011200, HEAD LIGHT - 12V - 7600198- 7600199
 - ◆ 9002471-A, ELECTRICAL SCHEMATIC - SPARE PARTS
 - ◆ 503427, ELECTRICITY - SPARE PARTS - CE KIT
 - ◆ 503452, ELECTRICITY - SPARE PARTS - SAFETY SHOE
 - ◆ 502353 - 502354, ELECTRICITY - SPARE PARTS - HEATING CAB
 - ◆ 503458, ELECTRICITY - SPARE PARTS - ROTARY BEACON ON CAB
 - ◆ 503427, ELECTRICITY - SPARE PARTS - CE KIT
 - ◆ 502110, ELECTRICITY - SPARE PARTS - PLATFORM LITHING
 - ◆ 503109 - 503110 - Nouvelle carte, ELECTRICITY - SPARE PARTS - EMERGENCY POWER UNIT
 - ◆ 503108, ELECTRICITY - SPARE PARTS - REAR WIPER
 - ◆ 503353-503450, ELECTRICITY - SPARE PARTS - STOP ON ENGINE FAULT
 - ◆ 503459, ELECTRICITY - SPARE PARTS - FLOODLIGHT UNDER PLATFORM
- ELEVATOR
 - ◆ ABS5S13010001201, CROSS BAR - 503123
- ENGINE
 - ◆ BLTHS01090001200, ENGINE MOUNT - 503754
 - ◆ 0000S01011501200, ENGINE COLLECTION - D2011 - SP.207002 - 5000136
 - ◆ ABS5S01070101200, ENGINE MOUNTING - CONTINIOUS - 503960

Table of Contents

- ENGINE
 - ◆ BLTHS01050201200, OIL RADIATOR
- HYDRAULIC
 - ◆ 9301995-A, HYDRAULIC SCHEMATIC - SPARE PARTS
- LABELS
 - ◆ 503107, MANUAL-PAK BOX
- OPTIONS
 - ◆ ABS5S09080001200, WINDSCREEN WASHER
 - ◆ ABS5S09140101200, VIP KIT - 2200 - 503889
 - ◆ ABS5S09110101200, SAFETY SHOE - 502975-502969-503452
 - ◆ ABS5S09040101200, HEATING - 502353
 - ◆ ABS5S09120101200, SAFETY BELT (CE VERSION)
 - ◆ ABS5S09210001200, INCLINOMETER - 502962
 - ◆ ABS5S09230001200, FLASHING BEACON ON PLATFORM - 503397
 - ◆ ABS5S09020001200, FRONT BUMPER - 502315 - 503737
 - ◆ ABS5S09030011200, REAR BUMPER - 503736 - 503737
- STRUCTURAL
 - ◆ ABS5S23010021200, FIXED FLIGHT - 503865
 - ◆ ABS5S23020001201, MOBILE FLIGHT - 503123-503865
 - ◆ ABS5S16040121200, PLATFORM RAILING 2200 - Manual - 503889
 - ◆ ABS5S23030231200, FLIGHT RAILING (WITHOUT CANOPY) - VIP
- SUSPENSION
 - ◆ ABS5S03010301200, FRONT AXLE - 5400053
 - ◆ ABS5S03030201200, REAR AXLE - TLD - 5300033
- TRANSMISSION
 - ◆ 0000S02020101200, GEAR BOX SPARE PARTS - PST2 PART 1/3 - 1038692-1038736
 - ◆ 0000S02020111200, GEAR BOX SPARE PARTS - PST2 PART 2/3 - 1038692-1038736
 - ◆ 0000S02020121200, GEAR BOX SPARE PARTS - PST2 PART 3/3 - 1038692-1038736
 - ◆ BLTHS01090201200, ENGINE D2011/GEAR BOX PST2 COUPLING - 1040298

Chapter 4-3 - Detailed Parts List

Page Intentionally Left Blank



Document #36119

Factory Doc#: 9300595-B

Revision: B

Category: BRAKING

Doc Type: PARTS DIAGRAM

Description

BRAKING CIRCUIT - SPARE PARTS

French Description

CIRCUIT DE FREINAGE - PIECES DETACHEES

VOIR SCHEMA DE FREINAGE CHAPITRE 2/2-C-1
SEE BRAKING SCHEMATIC CHAPTER 2/2-C-1

Chapter 4-3 - Detailed Parts List

Item	PN	QTY	Details	P	M	O	C
01	5500142	1 EA	PRESSURE SWITCH / MANO CONTACT		1		1
02	9408787	1 EA	PIPE / TUYAU				
03	9408788	1 EA	PIPE / TUYAU				
04	AL71211	2 EA	UNION / VIS BANJO				
05	5500029	2 EA	UNION / RACCORD				
06	9409101	1 EA	PIPE / TUYAU				
07	5500221	2 EA	HOSE / FLEXIBLE				
08	5500197	1 EA	BRAKE MASTER CYLINDER / MAITRE CYLINDRE				
09	6033002	1 EA	TANK / RESERVOIR				
10	9204673	2 EA	UNION / RACCORD				
11	AL80642	2 EA	UNION / VIS BANJO				
12	2500011	1 EA	PIPE / TUYAU				
13	9344030	1 EA	BRACKET / SUPPORT				
14	9406788	1 EA	PIPE / TUYAU				
15	9409303	1 EA	PIPE / TUYAU				

Chapter 4-3 - Detailed Parts List

Item	PN	QTY	Details	P	M	O	C
16	9409304	1 EA	PIPE / TUYAU				
17	AL71214	1 EA	LEVEL DETECTOR / SONDE DE NIVEAU		1		1



Document #36398

Factory Doc#: ABS5S00010041200

Revision:

Category: CHASSIS

Doc Type: PARTS DIAGRAM

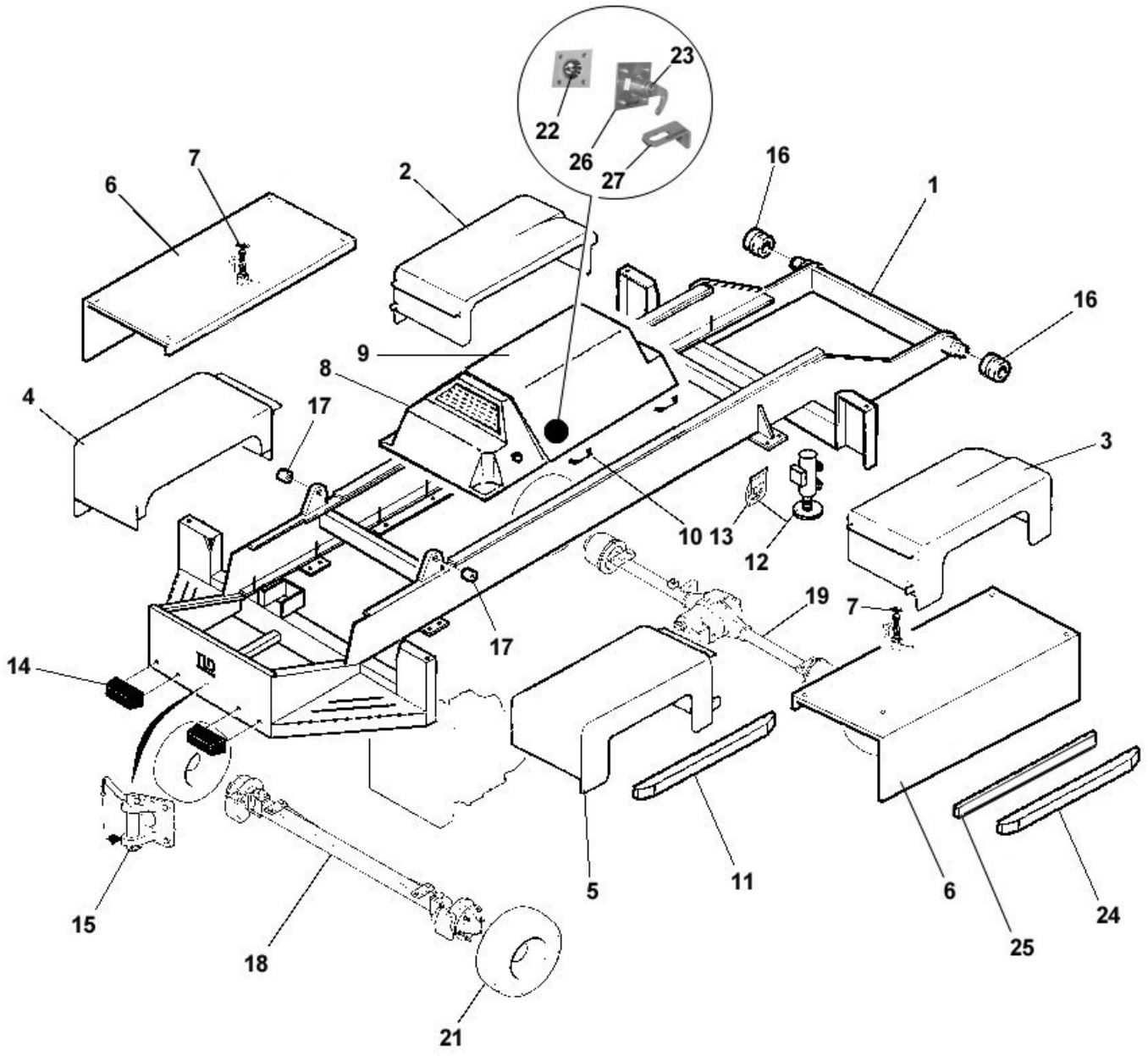
Description

CHASSIS EQUIPED - 503328-503329 -VIP- 503879

French Description

CHASSIS EQUIPE - 503328-503329 -VIP- 503879

Chapter 4-3 - Detailed Parts List



Chapter 4-3 - Detailed Parts List

Item	PN	QTY	Details	P	M	O	C
01	503329	1 EA	CHASSIS / CHASSIS				
02	9406570	1 EA	REAR RH MUDGUARD / AILE ARD				
03	9406572	1 EA	REAR LH MUDGUARD / AILE ARG				
04	9406573	1 EA	FRONT RH MUDGUARD / AILE AVD				
05	9406574	1 EA	FRONT LH MUDGUARD / AILE AVG				
06	9408917	2 EA	SIDE FLOOR / PLANCHER				
07	AL61232	4 EA	FASTENER / ATTACHE-CAPOT				
08	AL1139085	1 EA	TANK COVER / CAPOT RESERVOIR				
09	AL1039086	1 EA	ENGINE COVER / CAPOT MOTEUR				
10	AL63414	4 EA	HANDLE / POIGNEE				
11	9410173	4 EA	WOOD PROTECTION / LISSE BOIS				
12	6700217	4 EA	CYLINDER / VERIN DE BEQUILLES				
13	6700217-100	1 EA	SEALS KIT / POCHETTE DE JOINTS				
14	4200180	2 EA	BUMPER / BUTOIR				
15	AL62200	1 EA	TOWING YOKE / CHAPE				

Chapter 4-3 - Detailed Parts List

Item	PN	QTY	Details	P	M	O	C
16	AL41460	2 EA	BUSH / BAGUE				
17	AL48190	2 EA	BUSH / BAGUE				
18	-	1 EA	SEE FRONT AXLE FIGURE / VOIR FIGURE ESSIEU DIRECTEUR				
19	-	1 EA	SEE WHEEL HUB FIGURE / VOIR FIGURE MOYEU DE ROUES				
20	9206839	1 EA	SCREWS, KIT / KIT VISSERIE CHASSIS				
21	SEE WHEELS	4 EA	WHEELS / ROUES				
22	4133179	1 EA	LOCK (DEPENDING VERSIONS) / SERRURE (SUIVANT VERSIONS)				
23	4100153	1 EA	LOCK (DEPENDING VERSIONS) / VERROU (SUIVANT VERSIONS)				
24	-	2 EA	PROTECTION (DEPENDING VERSIONS) / LISSE ERTALON (SUIVANT VERSIONS)				
25	-	2 EA	SPACER (DEPENDING VERSIONS) / ENTRETOISE (SUIVANT VERSIONS)				
26	9408770	1 EA	PLATE / CONTRE PLAQUE				
27	9408769	1 EA	PLATE / ACCROCHAGE				



Document #3816

Factory Doc#: ABS5S00020001200

Revision:

Category: CHASSIS

Doc Type: PARTS DIAGRAM

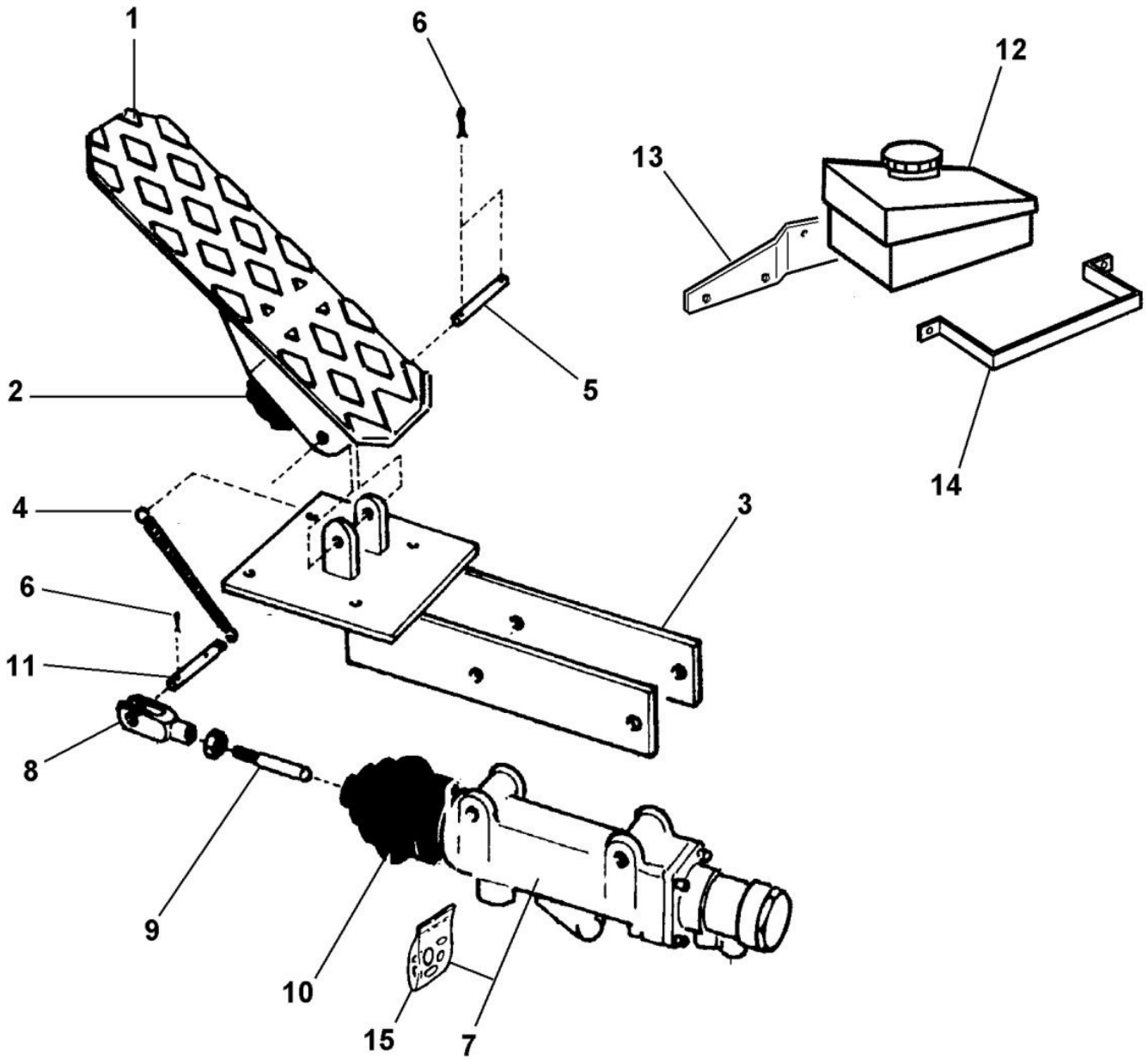
Description

BRAKING AND PEDAL

French Description

PEDALIER DE FREINAGE

Chapter 4-3 - Detailed Parts List



Chapter 4-3 - Detailed Parts List

Item	PN	QTY	Details	P	M	O	C
01	5800253	1 EA	BRAKE PEDAL / PEDALE DE FREIN				
02	5800253-100	1 EA	PEDAL BELLOWS / SOUFFLET DE PEDALE				
03	5800253-101	1 EA	MASTER CYLINDER BRACKET / SUPPORT CYLINDER BRACKET				
04	5800253-102	1 EA	SPRING / RESSORT				
05	5800253-103	1 EA	AXLE / AXE				
06	5800253-104	4 EA	PIN / GOUPILLE				
07	5500197	1 EA	MASTER CYLINDER / MAITRE CYLINDRE				1
08	5500197-100	1 EA	YOKE / CHAPE				
09	5500197-101	1 EA	PUCHED ROD / TIGE DE POUSSEE				
10	5500197-102	1 EA	MASTER CYLINDER BELLOWS / SOUFFLET DE MAITRE CYLINDRE				1
11	5500197-103	1 EA	AXLE / AXE				
12	6033002	1 EA	TANK / RESERVOIR				
13	9406334	1 EA	BRAKE SHIM / SUPPORT RESERVOIR LIQUIDE FREIN				
14	9344030	1 EA	COLLAR / COLLIER				
15	5500197-104	1 EA	SEAL KIT / KIT DE JOINTS	1			1

Chapter 4-3 - Detailed Parts List

Page Intentionally Left Blank



Document #8641

Factory Doc#: BLSTS00030201200

Revision:

Category: CHASSIS

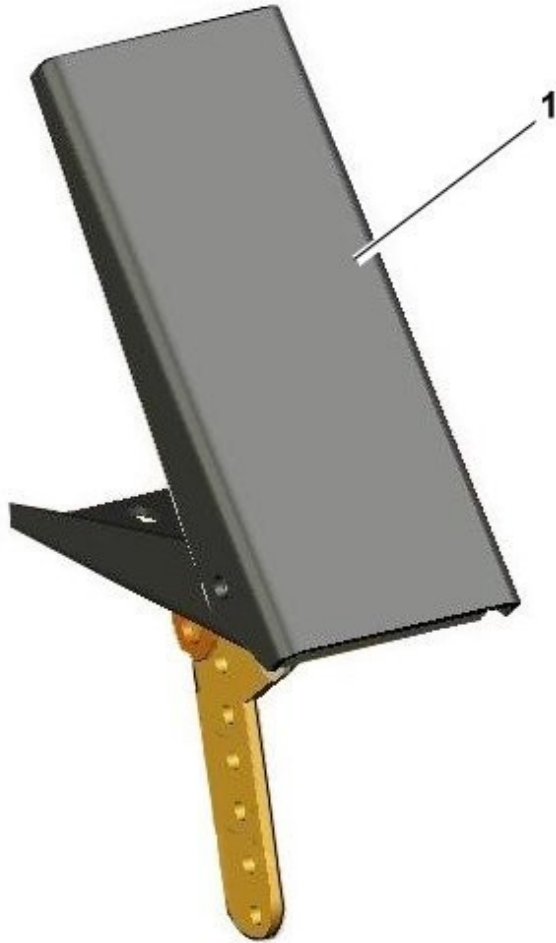
Doc Type: PARTS DIAGRAM

Description

ACCELERATION PEDAL - 5833846

French Description

PEDALE D'ACCELERATION - 5833846



Chapter 4-3 - Detailed Parts List

Item	PN	QTY	Details	P	M	O	C
01	5833846	1 EA	ACCELERATION PEDAL / PEDALE D'ACCELERATEUR				

Chapter 4-3 - Detailed Parts List

Page Intentionally Left Blank



Document #3814

Factory Doc#: ABS5S00040001200

Revision:

Category: CHASSIS

Doc Type: PARTS DIAGRAM

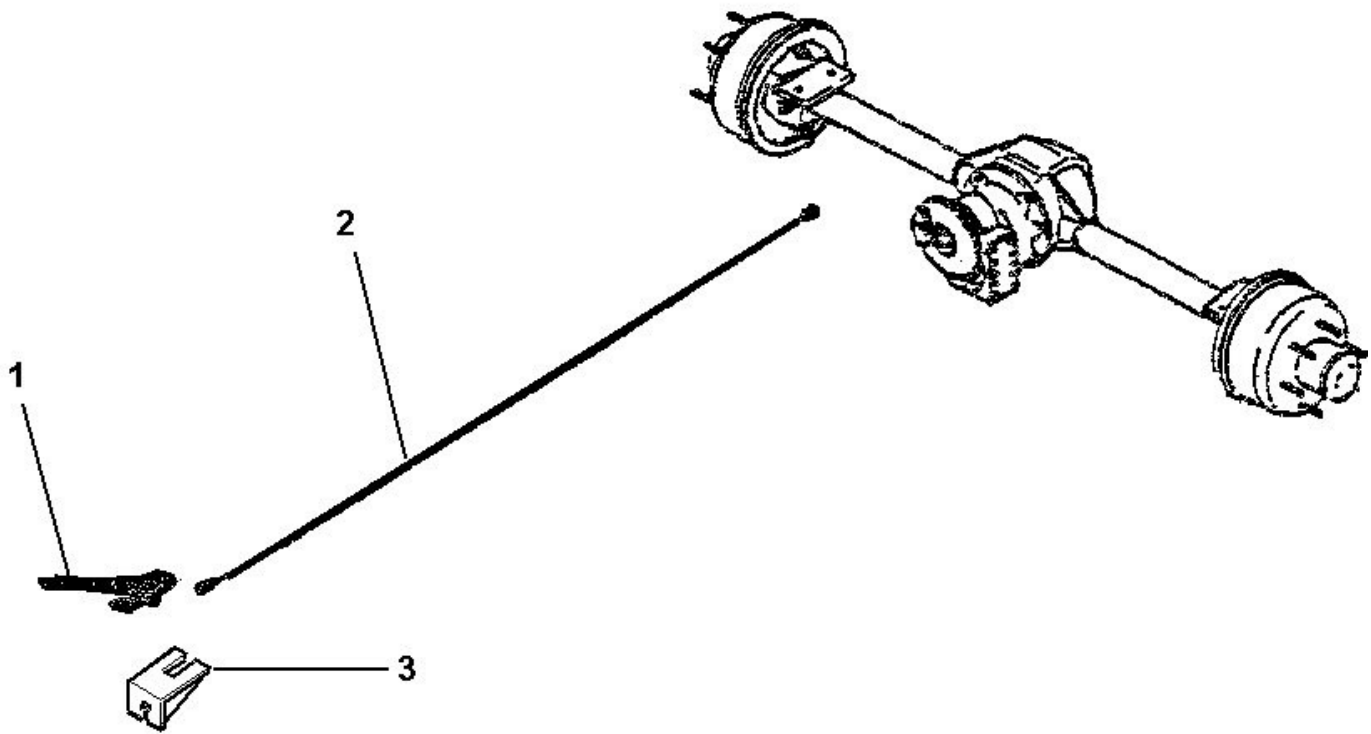
Description

PARKING BRAKE

French Description

FREIN DE PARC

Chapter 4-3 - Detailed Parts List



Chapter 4-3 - Detailed Parts List

Item	PN	QTY	Details	P	M	O	C
01	AL80817	1 EA	HANDLE / POIGNEE DE FREIN DE PARC				
01-NR	AL80817-100	1	SWITCH / MICRO-CONTACT	1	1	1	
02	AL64293	1 EA	CABLE / CABLE DE FREIN DE PARC			1	
03	9406336	1 EA	FASTENER / ARRET DE GAINE				

Chapter 4-3 - Detailed Parts List

Page Intentionally Left Blank



Document #34537

Factory Doc#: ABS5S14030011200

Revision:

Category: CHASSIS

Doc Type: PARTS DIAGRAM

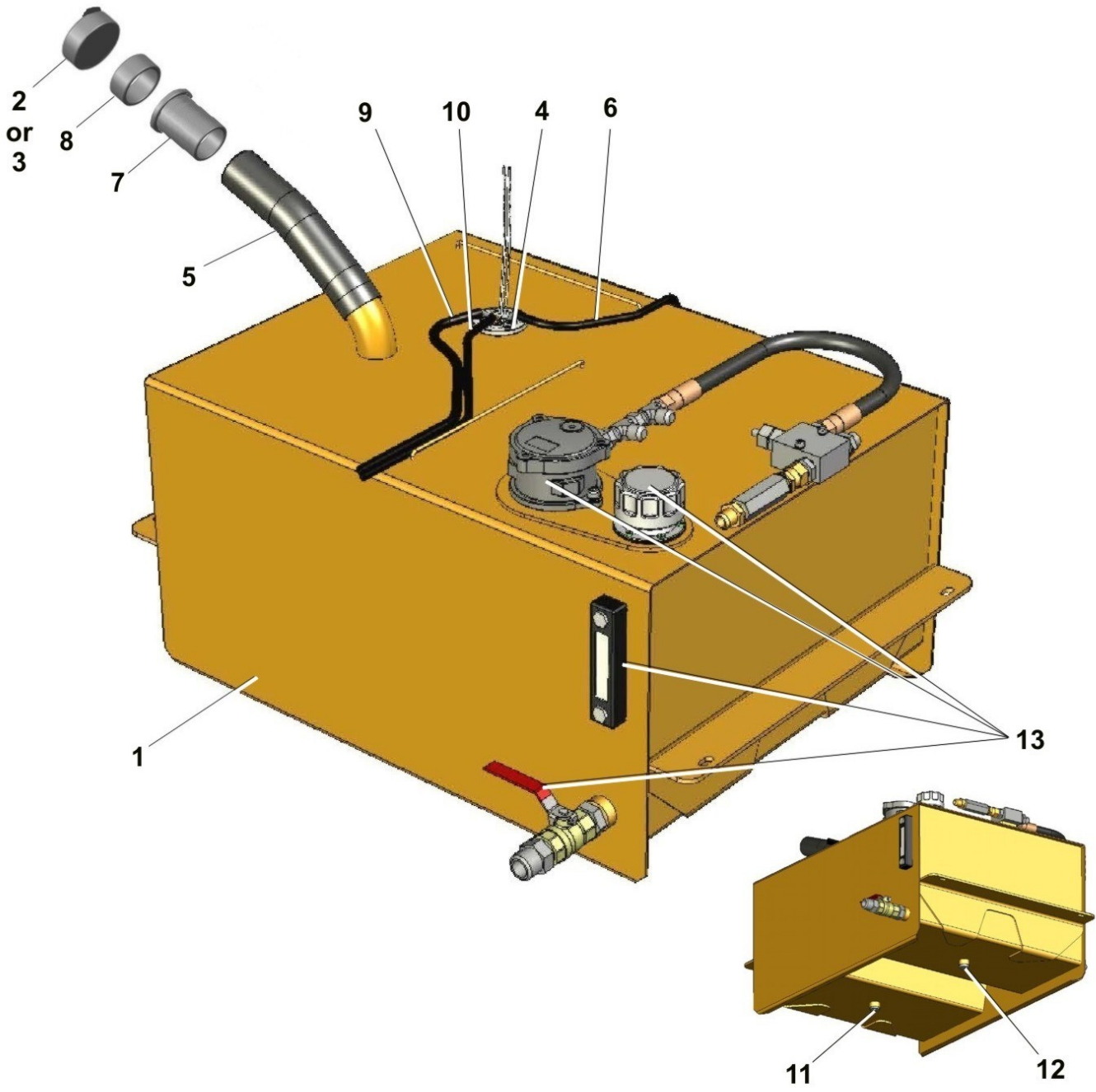
Description

FUEL AND HYDRAULIC TANK

French Description

RESERVOIR CARBURANT ET HYDRAULIQUE

Chapter 4-3 - Detailed Parts List



Chapter 4-3 - Detailed Parts List

Item	PN	QTY	Details	P M O C
01	5100283	1 EA	FUEL AND HYDRAULIC TANK / RESERVOIR CARBURANT ET HYDRAULIQUE	
02	AL61262	1 EA	KEY PLUG LOCKED WITH KEY / BOUCHON A CLE	
03	AL61261	1	PLUG WIHOUT LOCK / BOUCHON SANS CLE	
04	SEE ELECTRICAL PARTS	1 EA	LEVEL TRANSMITER / TRANSMETTEUR DE NIVEAU	
05	9206919	1 EA	PIPE / DURITE	
06	2500011	0,665 M EA	PIPE / DURITE CARBURANT	
07	9206903	1 EA	TUBE / TUBE REMPLISSAGE	
08	9207600	1	ADAPTOR / ADAPTATEUR BOUCHON RESERVOIR	
09	2500011	2,8 M	PIPE / DURITE CARBURANT	
10	2500042	2,5 M	HOSE, FUEL D.6 / DURIT CARBURANT D.6	
11	6200173	1	FITTING HP BOUCHON MG CYL 1/2 AVEC / RACCORD HP BOUCHON MG CYLINDRIQUE 1-2	
12	6800019	1	MAGNETIC VALVE / BOUCHON VIDANGE	
13	SEE HYRAULIC PARTS			

Chapter 4-3 - Detailed Parts List

Page Intentionally Left Blank



Document #7113

Factory Doc#: ABS5S11010001201

Revision:

Category: CHASSIS

Doc Type: PARTS DIAGRAM

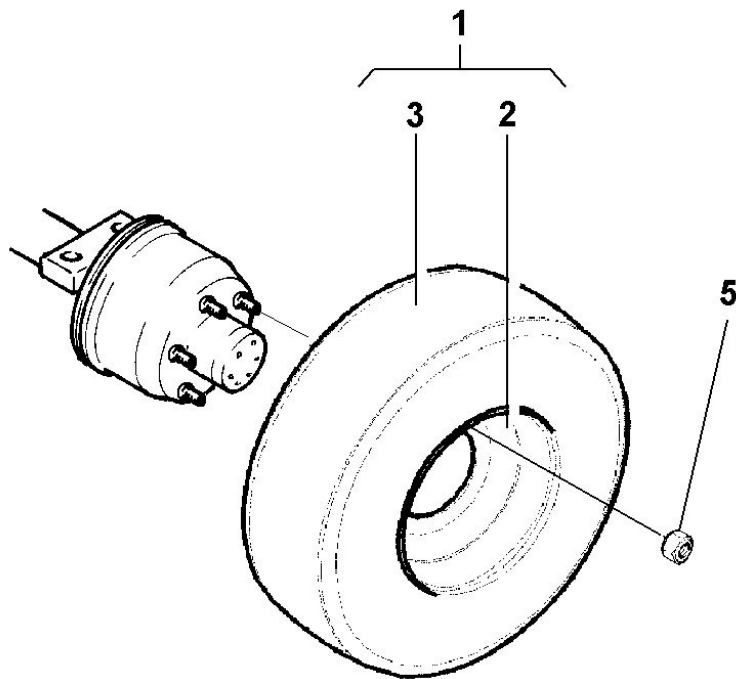
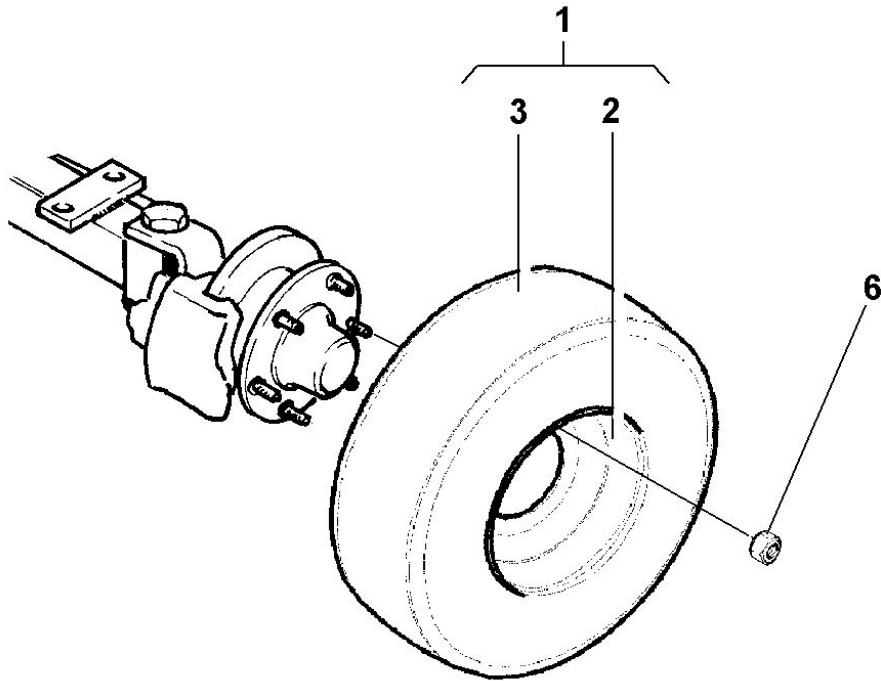
Description

WHEELS

French Description

ROUES

Chapter 4-3 - Detailed Parts List



Chapter 4-3 - Detailed Parts List

Item	PN	QTY	Details	P	M	O	C
01	AL71067	4 EA	WHEEL ASSY / ROUE COMPLETE				1
02	AL71067-001	4 EA	RIM / JANTE				
03	AL71067-002	4 EA	TYRE / PNEUMATIQUE				
05	SEE REAR WHEEL HUB	EA					
06	SEE FRONT AXLE	EA					

Chapter 4-3 - Detailed Parts List

Page Intentionally Left Blank



Document #26097

Factory Doc#: ABS5S04010041200

Revision:

Category: DRIVER CAB

Doc Type: PARTS DIAGRAM

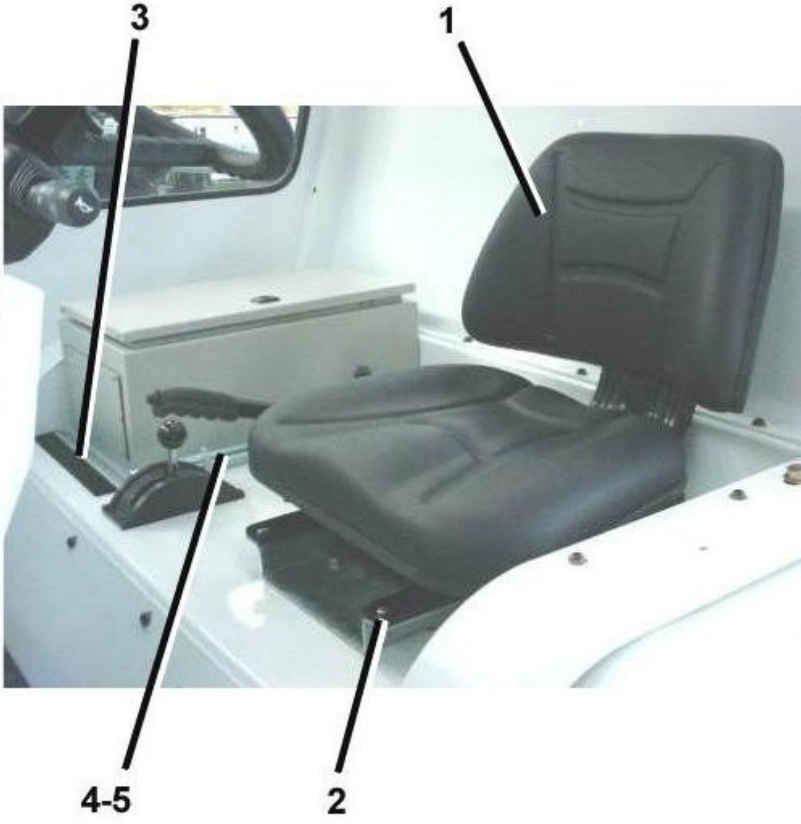
Description

CAB EQUIPMENT (CE VERSION)

French Description

EQUIPEMENT CABINE (VERSION CE)

Chapter 4-3 - Detailed Parts List



Chapter 4-3 - Detailed Parts List

Item	PN	QTY	Details	P	M	O	C
01	4200407	1 EA	SEAT / SIEGE				
02	9408060	1 EA	SEAT BRACKET / SUPPORT DE SIEGE				
03	AL71018	1 EA	PROFIL / BROSSE				
04	9200711	1 EA	HAND PUMP LEVER / LEVIER DE POMPE A MAIN				
05	4100015	2 EA	CLIPS / CLIPS				
06	4100045	1 EA	LOCK / VERROU				
07	4233129	1 EA	STEERING WHELL / VOLANT				

Chapter 4-3 - Detailed Parts List

Page Intentionally Left Blank



Document #36574

Factory Doc#: ABS5S04110101200

Revision:

Category: DRIVER CAB

Doc Type: PARTS DIAGRAM

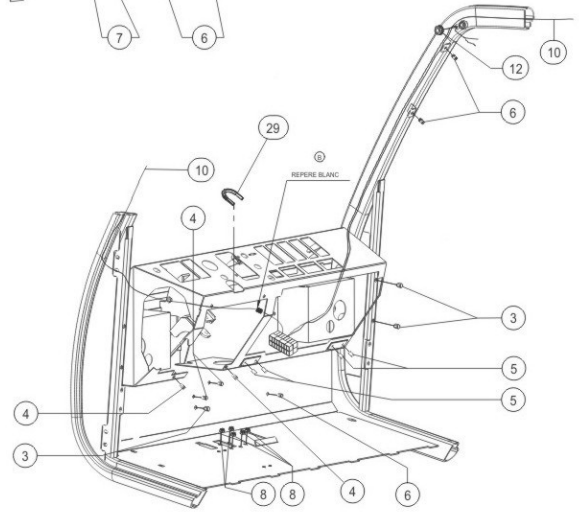
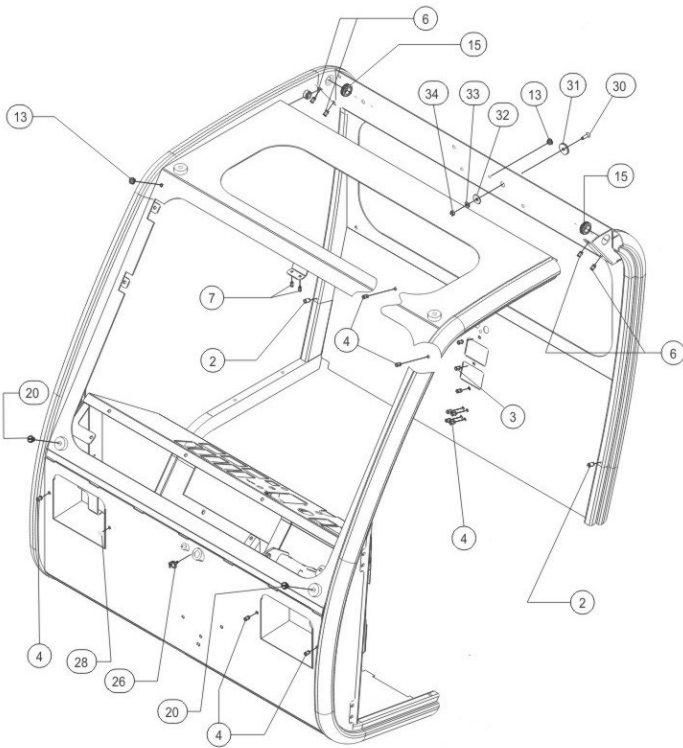
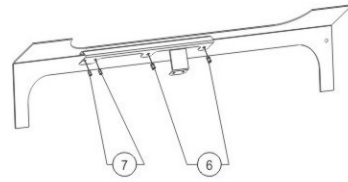
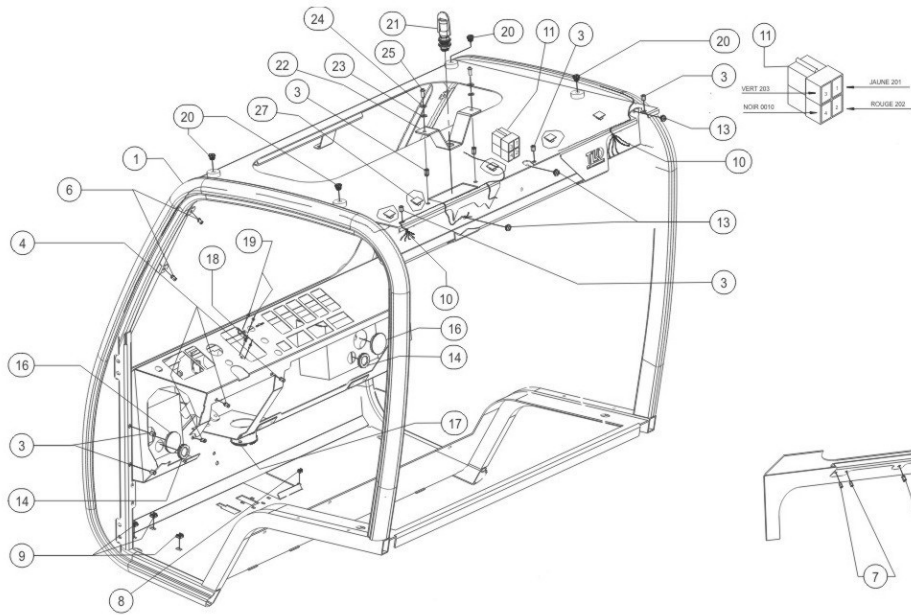
Description

CAB - PART 1/3 - 5900158-001

French Description

CABINE - PARTIE 1/3 - 5900158-001

Chapter 4-3 - Detailed Parts List



Chapter 4-3 - Detailed Parts List

Item	PN	QTY	Details	P	M	O	C
01	5900158-100	1	CAB STRUCTURE / STRUCTURE CABINE				
17	5933203-219	1	NOZZLE / BOUCHE				
18	5933203-220	2	RECEPTACLE / RECEPTACLE				
21	5900158-121	1	CONNEXION / CONNECTION;A;VISSER				
22	5900158-122	1	LIGHT BRACKET / SUPPORT GYROPHARE				
29	5900158-129	M	SEAL / JOINT				

Chapter 4-3 - Detailed Parts List

Page Intentionally Left Blank



Document #36575

Factory Doc#: ABS5S04110201200

Revision:

Category: DRIVER CAB

Doc Type: PARTS DIAGRAM

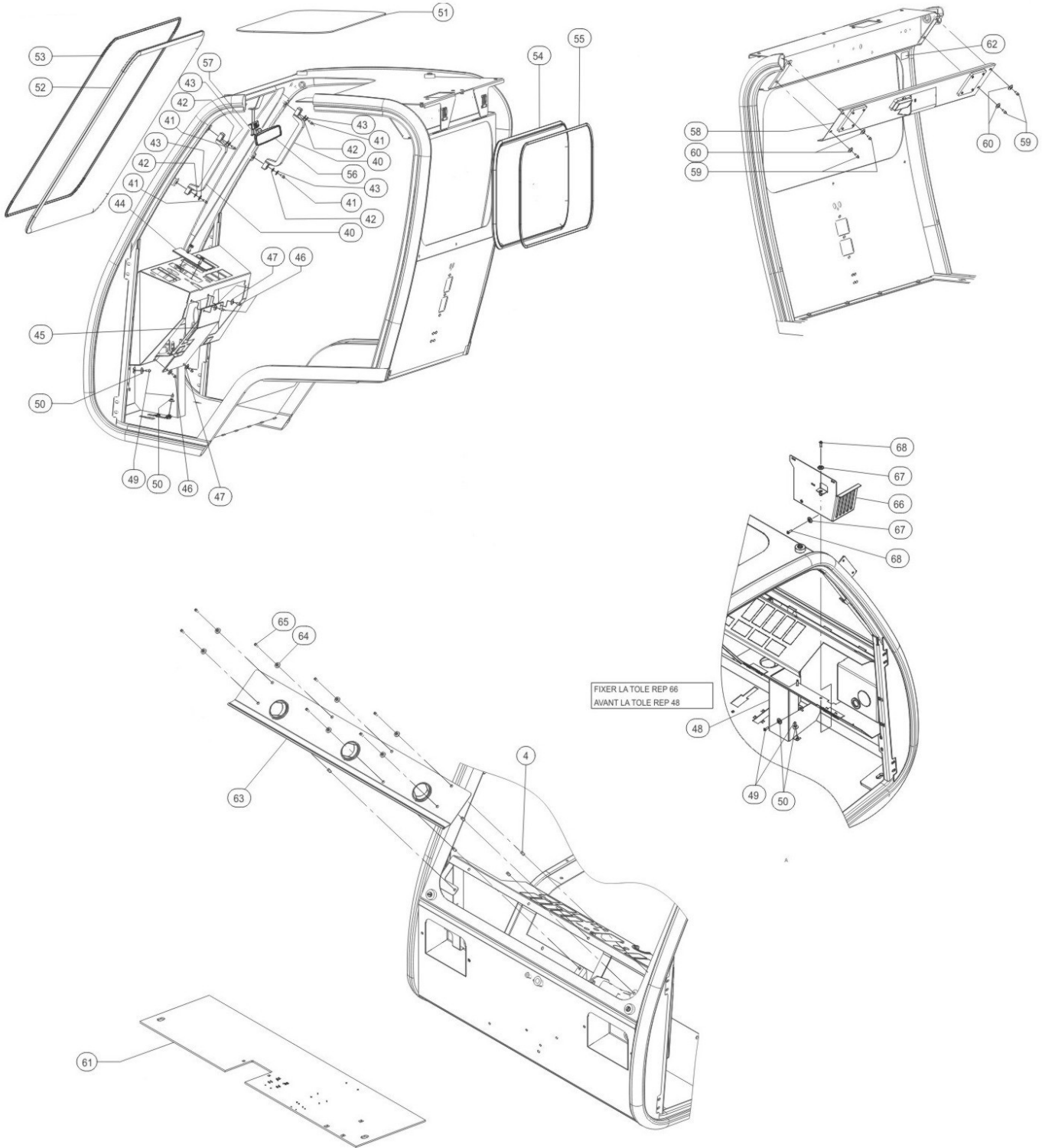
Description

CAB - PART 2/3 - 5900158-002

French Description

CABINE - PARTIE 2/3 - 5900158-002

Chapter 4-3 - Detailed Parts List



Chapter 4-3 - Detailed Parts List

Item	PN	QTY	Details	P	M	O	C
40	4200373	3	HANDLE / POIGNEE				
44	5933203-201	1	BRAKE OIL ACCESS PLATE / TRAPPE LIQUIDE DE FREIN				
45	5933203-203	1	LEFT PLATE / TRAPPE GAUCHE				
51	5900158-251	1	PORLIGHT / HUBLLOT				
52	5933203-150	1	WINDSCREEN / VITRE AVANT				
53	4033009	M	SEAL KIT / CLE DE JOINT				
54	5933203-151	1	REAR GLASS / VITRE ARRIERE				
55	4033009	M	SEAL KIT / CLE DE JOINT				
56	5933240	1	ASSY MIRROR KIT / KIT RETROVISEUR COMPLET				
61	5933203-167	1	CARPET / TAPIS				

Chapter 4-3 - Detailed Parts List

Page Intentionally Left Blank



Document #36576

Factory Doc#: ABS5S04110301200

Revision:

Category: DRIVER CAB

Doc Type: PARTS DIAGRAM

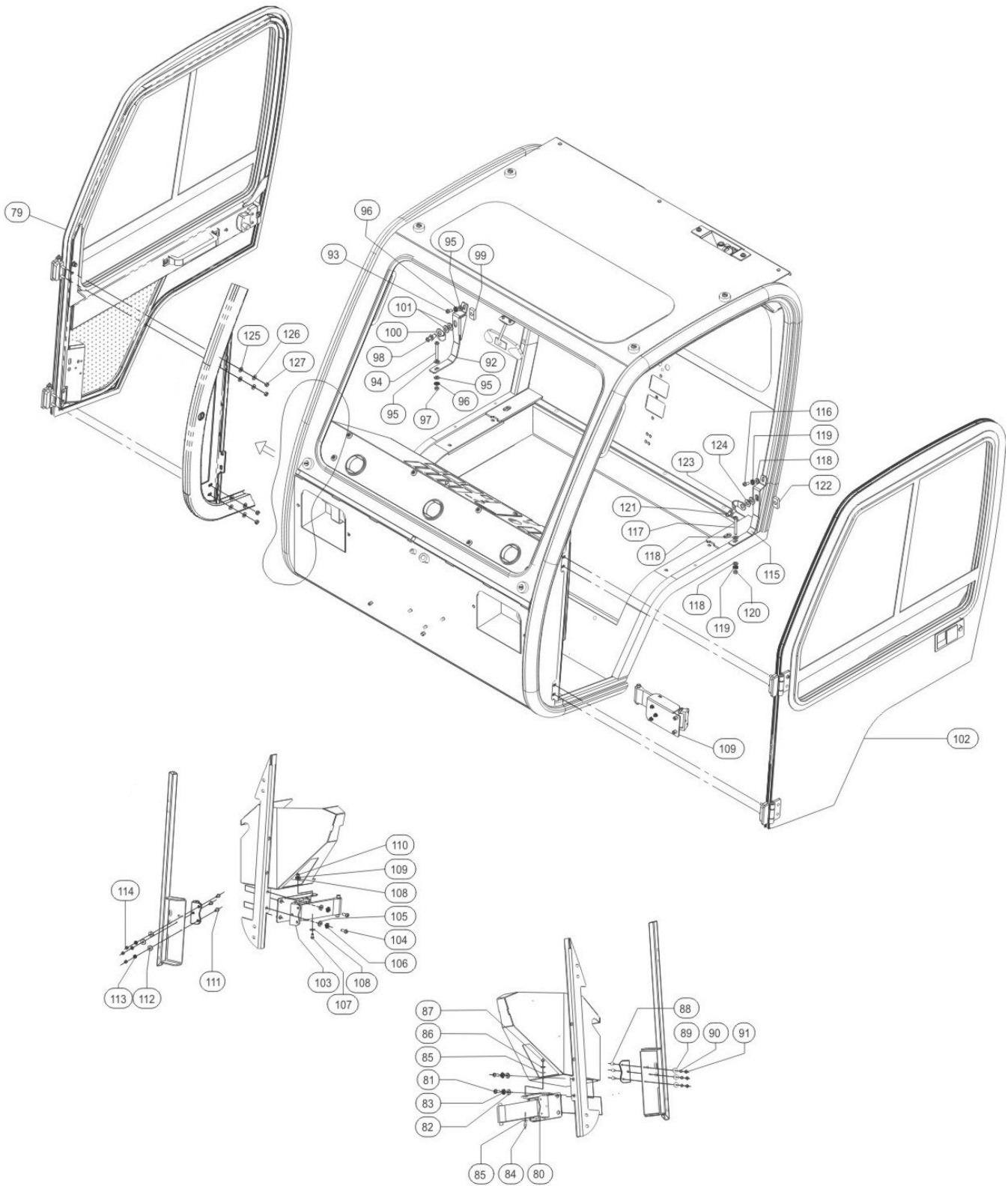
Description

CAB - PART 3/3 - 5900158-003

French Description

CABINE - PARTIE 3/3 - 5900158-003

Chapter 4-3 - Detailed Parts List



Chapter 4-3 - Detailed Parts List

Item	PN	QTY	Details	P	M	O	C
079	5900160	1	RH DOOR (depending versions) see door figure for details / PORTE DROITE (suivant versions) voir figure porte pour détails				
080	5900158-380	1	RH BRACKET / SUPPORT DROIT SANGLE				
092	5933203-257	1	RIGHT HINGE PIN SUPPORT / SUPPORT DE GACHE DROIT				
098	4133014	1	CATCH PIN / AXE DE GACHE				
099	4133070	1	LOCK PIN NUT / ECROU DE GACHE				
100	5933114-205	1	PROTECTION / PROTECTION AXE GACHE				
101	5933031-031	2	WASHER / RONDELLE				
102	5900161	1	LH DOOR (depending versions) see door figure for details / PORTE GAUCHE (suivant versions) voir figure porte pour détails				
103	5900158-103	1	LH BRACKET / SUPPORT GAUCHE SANGLE				
115	5933203-272	1	LEFT HINGE PIN SUPPORT / SUPPORT DE GACHE GAUCHE				
121	4133014	1	CATCH PIN / AXE DE GACHE				
122	4133070	1	LOCK PIN NUT / ECROU DE GACHE				
123	5933114-205	1	PROTECTION / PROTECTION AXE GACHE				
124	5933031-031	2	WASHER / RONDELLE				

Chapter 4-3 - Detailed Parts List

Page Intentionally Left Blank



Document #29872

Factory Doc#: TM62S04020121200

Revision:

Category: DRIVER CAB

Doc Type: PARTS DIAGRAM

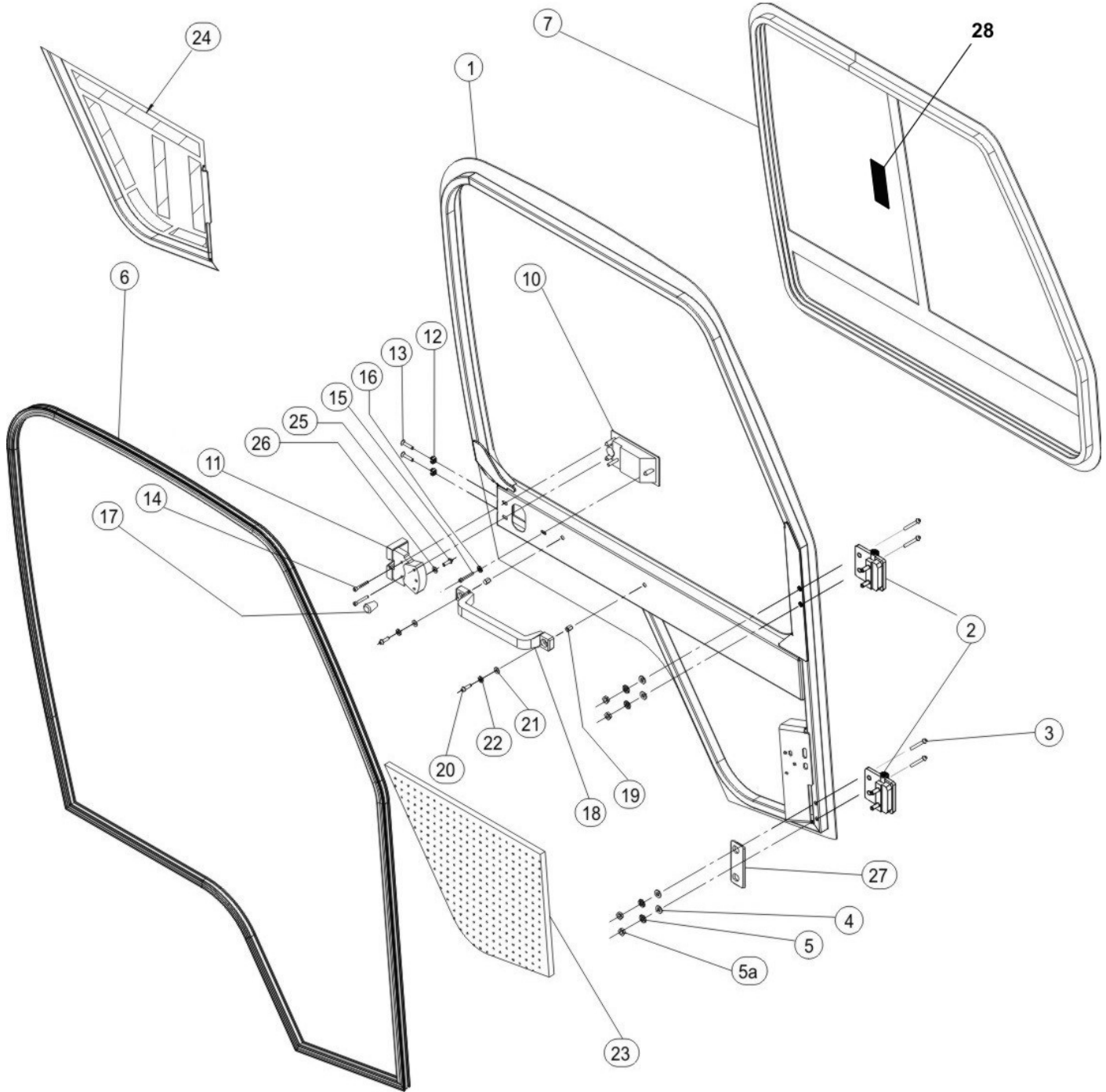
Description

CAB - LEFT DOOR - 5900161

French Description

CABINE - PORTE GAUCHE - 5900161

Chapter 4-3 - Detailed Parts List



Chapter 4-3 - Detailed Parts List

Item	PN	QTY	Details	P	M	O	C
00	5900161	1 EA	LEFT DOOR ASSY / PORTE BATTANTE GAUCHE COMPLETE				
01	5900161-004	1 EA	LEFT PAINT DOOR / PORTE PEINTE GAUCHE				
02	5900161-002	2 EA	LEFT HINGE PLATE / PAUMELLE GAUCHE				
04	5933187-104	4 EA	WASHER FLAT Ø8 / RONDELLE PLATE Ø8				
05	5933187-105	4 EA	WASHER FAN SHAPED Ø8 / RONDELLE EVENTAIL Ø8				
06	5933187-106	4.4 m EA	RUBBER TAPE / PROFIL ADHESIF				
07	5933187-207	1 EA	LEFT SLIDING DOOR / BAIE COULISSANTE GAUCHE				
08	5933096-004	0.001 EA	GREASE LIGHTER / DEGRAISSANT				
09	5933096-003	0.2 EA	STICK / GLUE / COLLE				
10	4133006	1 EA	OUTER LOCK / SERRURE EXTERIEURE				
11	4133005	1 EA	LEFT INNER LOCK / SERRURE INTERIEURE GAUCHE				
12	3200077	2 EA	NUT M6 / ECROU CAGE M6				
13	5933187-113	2 EA	SCREW TFHC Ø6 x 30 / VIS TFHC Ø6 x 30				
14	5933187-114	2 EA	SCREW CHC M6 x 35 / VIS CHC M6 x 35				
15	5933187-115	1 EA	SCREW CHC M6 x 20 / VIS CHC M6 x 20				

Chapter 4-3 - Detailed Parts List

Item	PN	QTY	Details	P	M	O	C
16	5933187-116	1 EA	WASHER JZC Ø6 / RONDELLE JZC Ø6				
17	5933028-028	1 EA	LOCK HANDLE / BOUTON DE SERRURE				
18	4200373	1 EA	HANDLE PVC BLACK / POIGNEE PVC NOIRE				
19	5933187-119	2 EA	INSERT HEX M6 / INSERT HEXAGONAL M6				
20	5933187-120	2 EA	SCREW CBHC Ø6 x 20 / VIS CBHC Ø6 x 20				
21	5933187-121	2 EA	FLAT WASHER Ø6 / RONDELLE PLATE Ø6				
22	5933187-122	2 EA	WASHER FAN SHAPED Ø6 / RONDELLE EVENTAIL Ø6				
23	5933187-223	1 EA	LEFT DOOR FOAM / GARNITURE PORTE GAUCHE				
25	5933203-200	1	SCREW CBHC Ø6 x 16 / VIS CBHC Ø6 x 16				
26	5933187-116	1	WASHER JZC Ø6 / RONDELLE JZC Ø6				
27	5900160-005	1	PLATE / PLAQUETTE				
28	5933187-124	1 EA	GLASS LOCK HANDLE / POIGNEE DE VEROUILLAGE BAIE				



Document #3836

Factory Doc#: ABS5S04020001200

Revision:

Category: DRIVER CAB

Doc Type: PARTS DIAGRAM

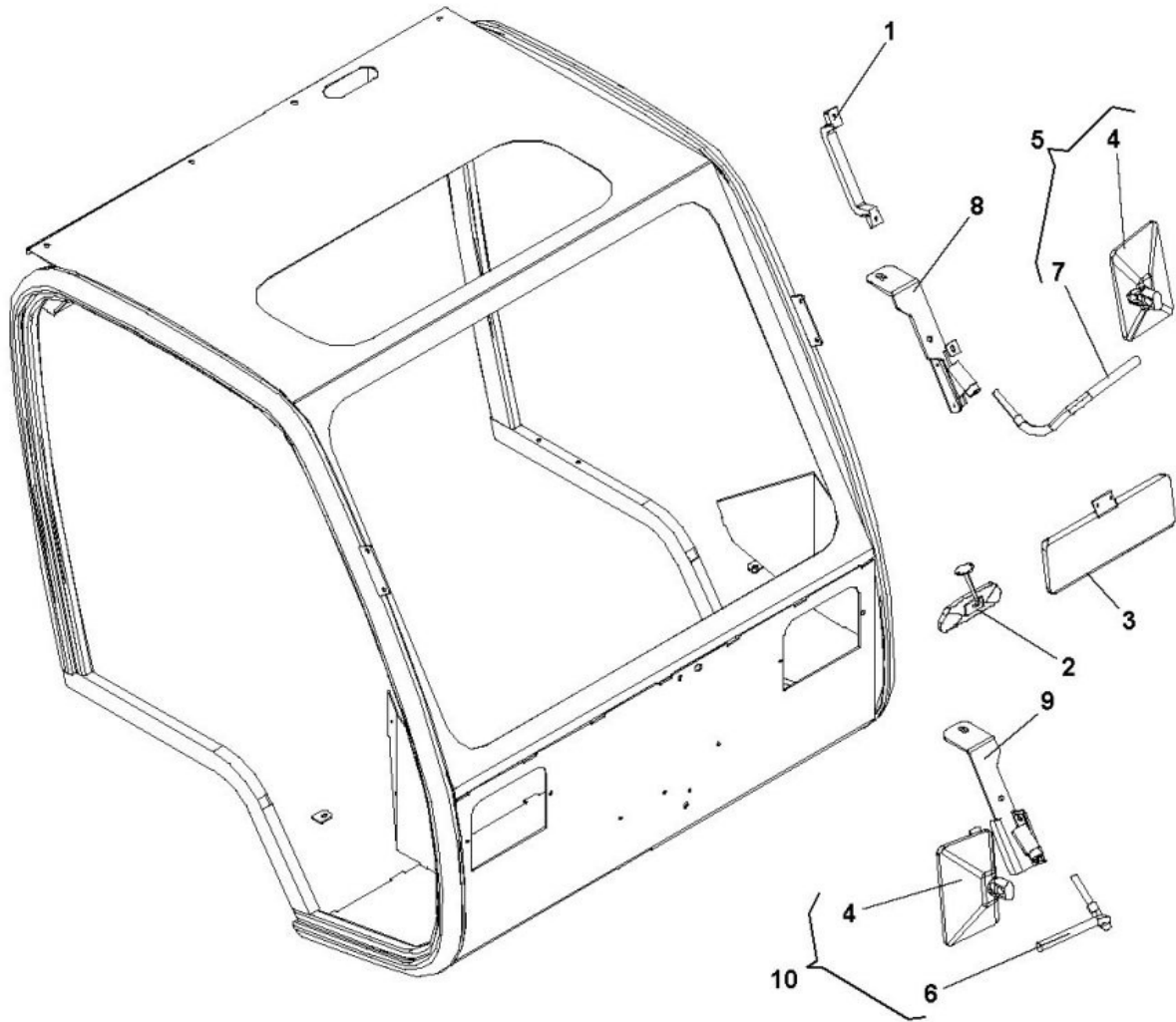
Description

CAB - MIRRORS

French Description

CABINE - RETROVISEURS

Chapter 4-3 - Detailed Parts List



Chapter 4-3 - Detailed Parts List

Item	PN	QTY	Details	P	M	O	C
01	4133004	2 EA	HANDLE / POIGNEE INTERIEURE				
02	5933187-018	1 EA	INNER MIRROR / RETROVISEUR INTERIEUR				
03	5933187-020	1 EA	SUN SHADE / PARE-SOLEIL				
04	5933189-013	1 EA	LEFT/RIGHT MIRROR / RETROVISEUR DROIT/GAUCHE				
04 - NR	5933189-005	1 EA	LEFT VIEW MIRROR + ARM / RETROVISEUR + BRAS GAUCHE				
05	5933189-013	1 EA	LEFT/RIGHT MIRROR / RETROVISEUR DROIT/GAUCHE				
05 - NR	5933189-003	1 EA	RIGHT VIEW MIRROR + ARM / RETROVISEUR + BRAS DROIT				
06	5933189-006	1 EA	LEFT MIRROR ARM / BRAS DE RETROVISEUR GAUCHE				
07	5933189-004	1 EA	RIGHT MIRROR ARM / BRAS DE RETROVISEUR DROIT				
08	5933187-021	1 EA	RIGHT MIRROR SUPPORT / SUPPORT DE RETROVISEUR DROIT				
09	5933187-022	1 EA	LEFT MIRROR SUPPORT / SUPPORT DE RETROVISEUR GAUCHE				

Chapter 4-3 - Detailed Parts List

Page Intentionally Left Blank



Document #3840

Factory Doc#: ABS5S04060001200

Revision:

Category: DRIVER CAB

Doc Type: PARTS DIAGRAM

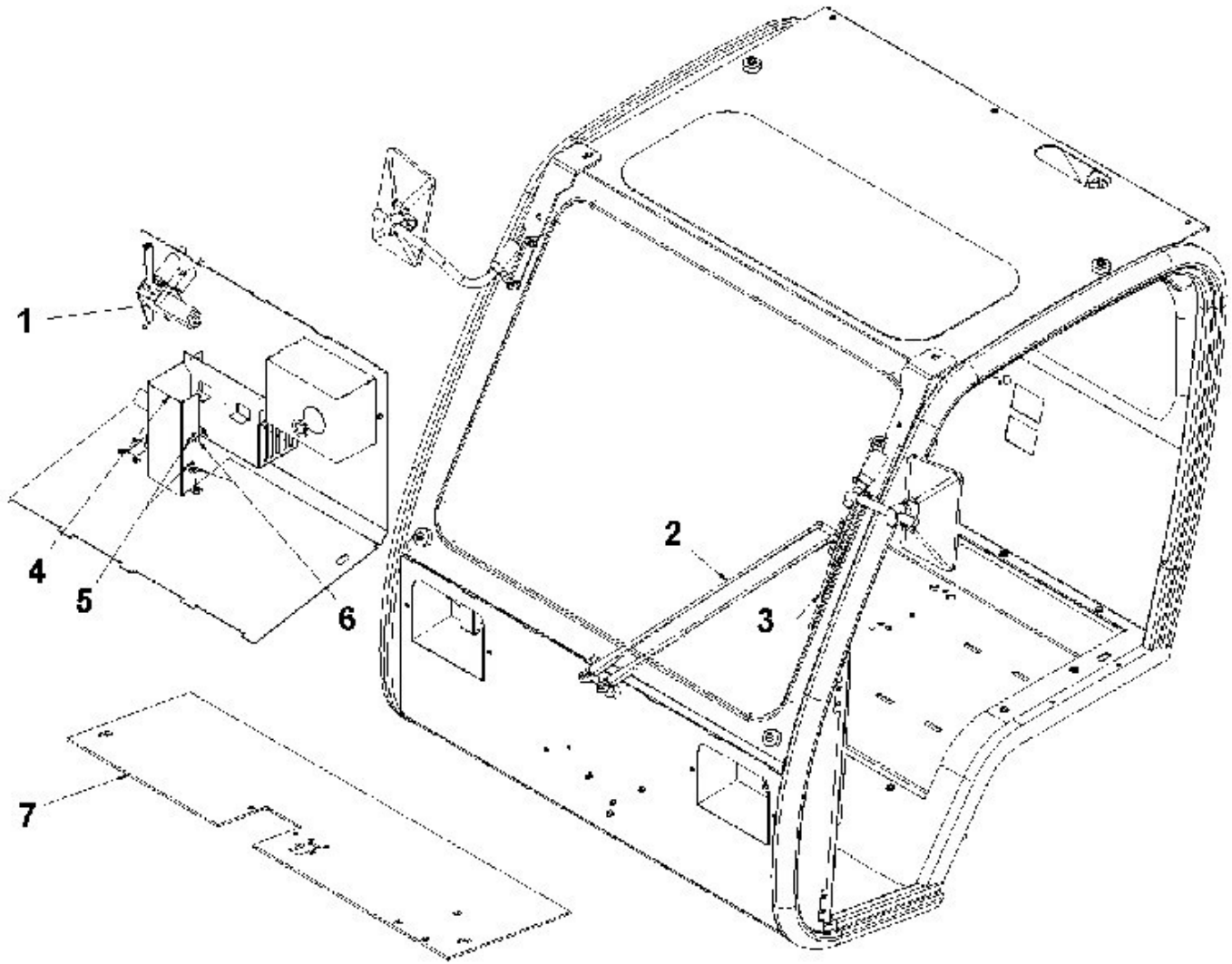
Description

FRONT WIPER

French Description

ESSUIE-GLACE AVANT

Chapter 4-3 - Detailed Parts List



Chapter 4-3 - Detailed Parts List

Item	PN	QTY	Details	P	M	O	C
01	5933202-100	1 EA	WIPER MOTOR / MOTEUR D'ESSUIE-GLACE				1
02	5933187-902	1 EA	WIPER ARM / BRAS D'ESSUIE-GLACE				
03	5933187-903	1 EA	WIPER BLADE / BALAI		1	1	
04	5933203-164	1 EA	SPOUT / GOULOTTE				
05	5933203-165	4 EA	SCREW CBHC Ø6 X 20 / VIS CBHC Ø6 X 20				
06	5933203-166	4 EA	WASHER / RONDELLE CUVETTE				
07	5933203-167	1 EA	CARPET / TAPIS				

Chapter 4-3 - Detailed Parts List

Page Intentionally Left Blank



Document #3843

Factory Doc#: ABS5S04090001200

Revision:

Category: DRIVER CAB

Doc Type: PARTS DIAGRAM

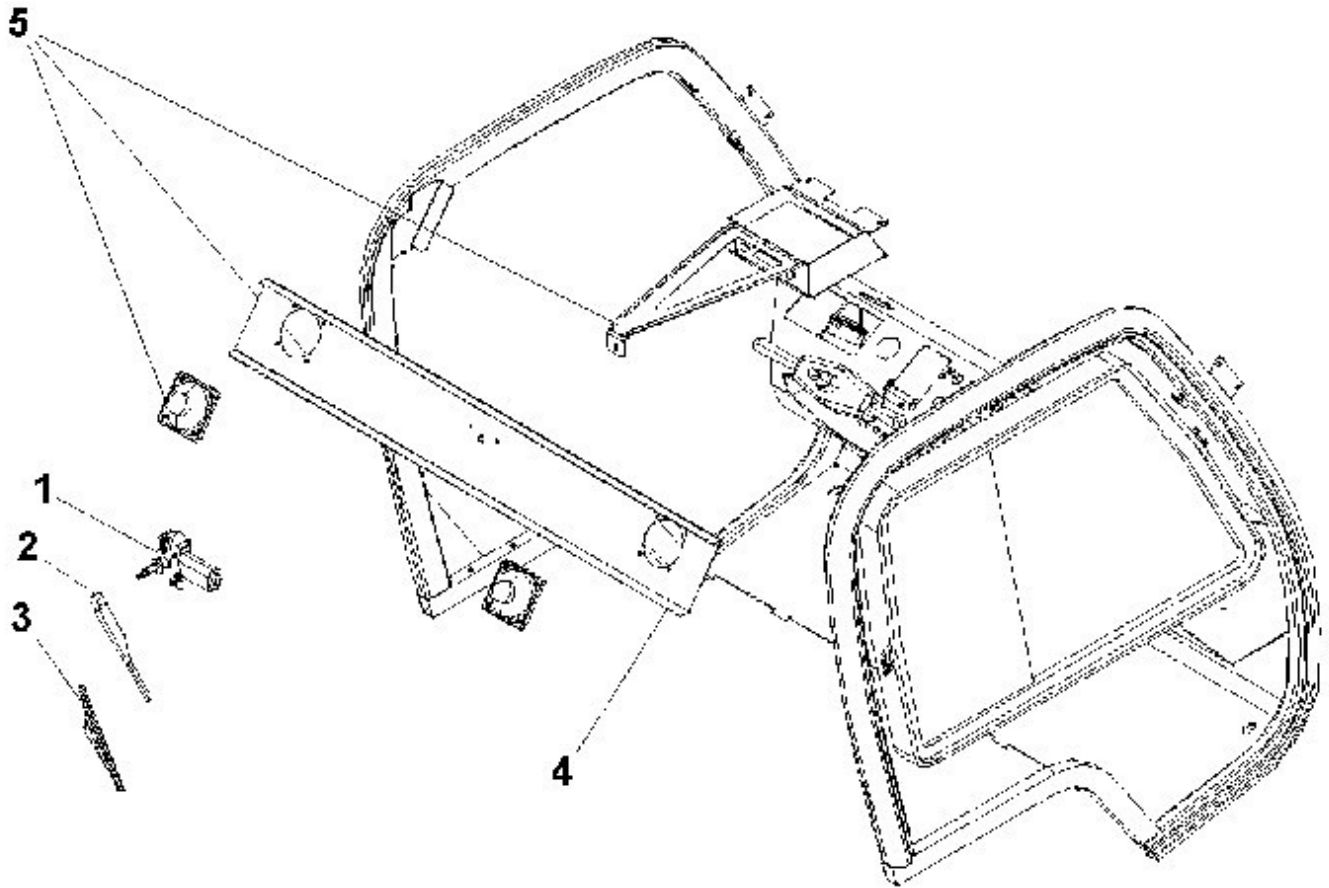
Description

REAR WIPER - 503108

French Description

ESSUIE-GLACE ARRIERE - 503108

Chapter 4-3 - Detailed Parts List



Chapter 4-3 - Detailed Parts List

Item	PN	QTY	Details	P	M	O	C
01	5933187-301	1 EA	WIPER MOTOR / MOTEUR D'ESSUIE-GLACE				1
02	5933187-702	1 EA	WIPER ARM / BRAS D'ESSUIE-GLACE				
03	5933202-701	1 EA	WIPER BLADE / BALAI		1	1	
04	5933203-168	1 EA	HP PLATE / TOLE HP				
04 - NR	5933203-166	4 EA	WASHER / RONDELLE CUVETTE				
04 - NR	5933203-165	4 EA	SCREW CBHC Ø6 X 20 / VIS CBHC Ø6 X 20				
05	5933187-400	1	CAR RADIO KIT / KIT AUTO-RADIO				

Chapter 4-3 - Detailed Parts List

Page Intentionally Left Blank



Document #36824

Factory Doc#: 0000S08000011200

Revision:

Category: ELEC CONTROL

Doc Type: PARTS DIAGRAM

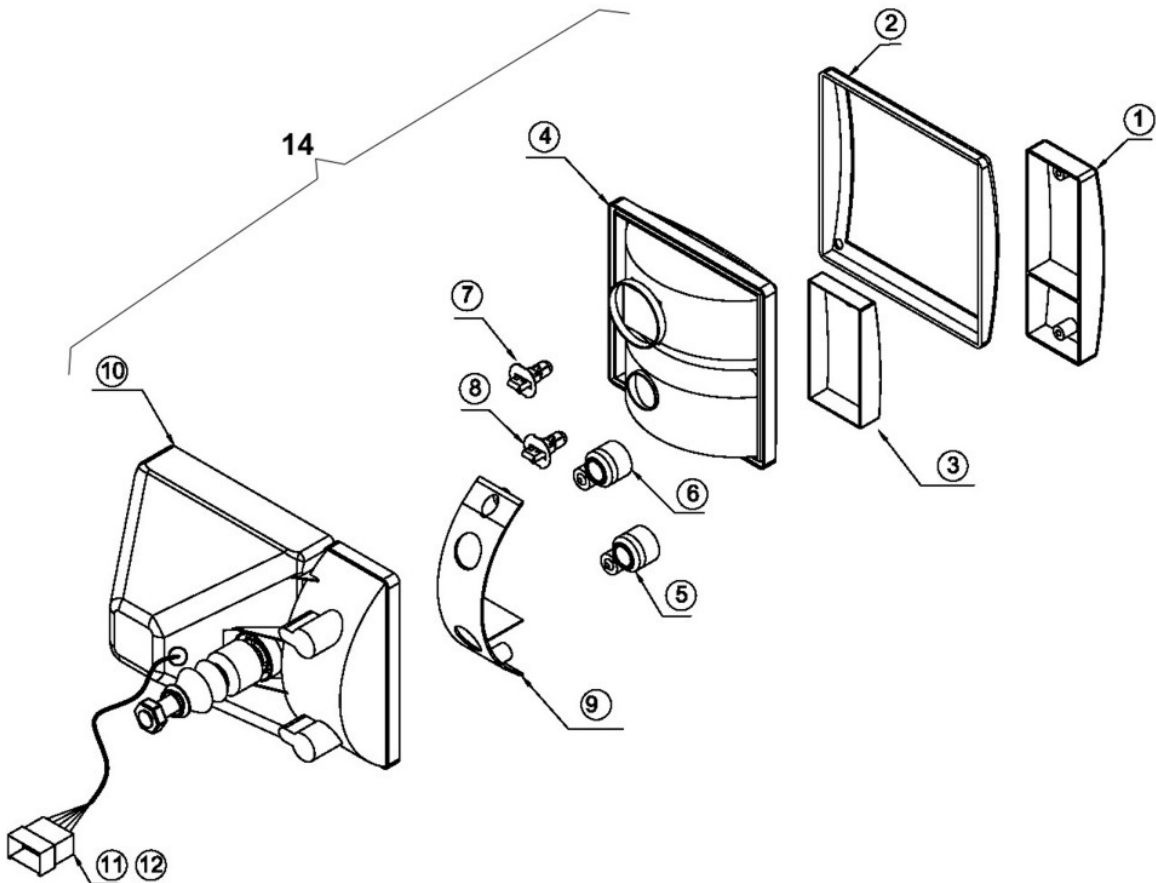
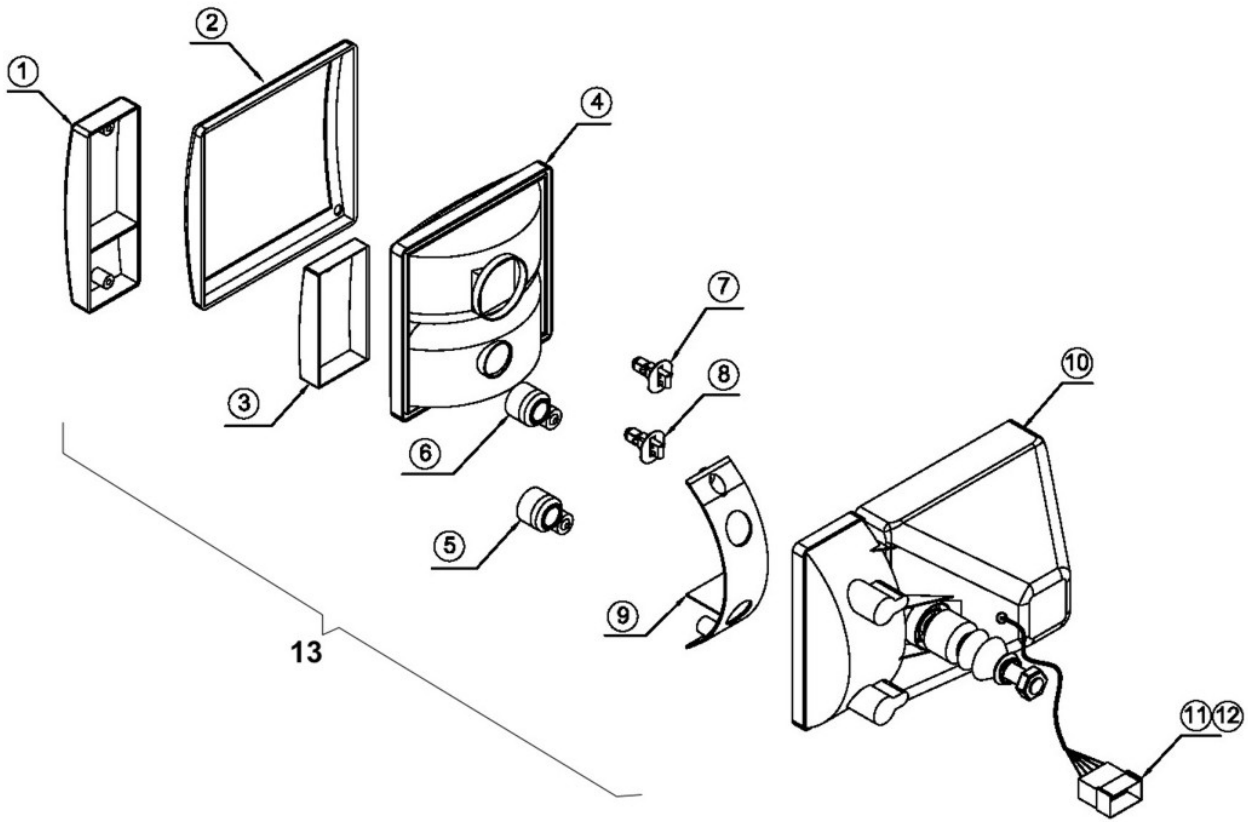
Description

HEAD LIGHT - 12V - 7600198- 7600199

French Description

FEUX AVANT - 12V - 7600198-7600199

Chapter 4-3 - Detailed Parts List



Chapter 4-3 - Detailed Parts List

Item	PN	QTY	Details	P	M	O	C
01	7600198-001	1 EA	OUTSIDE LENS / CABOCHON				1
02	7600198-002		BRAKET FOR BIG LAMP / BRIDE		1		1
03	7600198-003		INSIDE LENS (AMBER) / CABOCHON AMBRE		1		1
04	7600198-004		BIG LAMP / OPTIQUE		1		1
05	7600208	1 EA	LED BULB (12V/2W) / AMPOULE		1		1
06	7600206	1 EA	LED BULB (12V/1W) / AMPOULE		1		1
07	7600202	1 EA	LAMP 12V 55W H3 / AMPOULE		1		1
08	7600204		LAMP 12V 55W H1 / AMPOULE		1		1
09	7600198-005	1 EA	REFLECTOR / REFLECTEUR				
10	7600198-006	1 EA	MAIN BODY OF LIGHT / CORPS DE FEUX				
11	7200744	1 EA	AMP CONNECTOR / CONNECTEUR				
12	7600745	1 EA	SEAL PROTECTOR / JOINT				
13	7600198	1 EA	LH HEAD LIGHY ASSY / FEUX AVG COMPLET				1
14	7600199	1 EA	RH HEAD LIGHY ASSY / FEUX AVD COMPLET				1

Chapter 4-3 - Detailed Parts List

Page Intentionally Left Blank



Document #36975

Factory Doc#: 9002471-A

Revision: A

Category: ELEC CONTROL

Doc Type: PARTS DIAGRAM

Description

ELECTRICAL SCHEMATIC - SPARE PARTS

French Description

SCHEMA ELECTRIQUE - PIECES DETACHEES

VOIR SCHEMA ELECTRIQUE CHAPITRE 2/2-A-1
SEE ELECTRICAL SCHEMATIC CHAPTER 2/2-A-1

Chapter 4-3 - Detailed Parts List

Item	PN	QTY	Details	P	M	O	C
	7700123		ELECTRONIC CARD / CARTE ELECTRONIQUE				
ALT	WITH ENGINE PARTS	1	ALTERNATOR / ALTERNATEUR				
BN1	AL71214	1	OIL BRAKE LEVEL SENDER / SONDE DE NIVEAU	1			1
BN2	AL71055	1	FUEL LEVEL SENDER / SONDE NIVEAU CARBURANT	1			1
BP1	WITH ENGINE PARTS	1	ALTERNATOR / ALTERNATEUR				
BP2	WITH HYDRAULIC PARTS	1	PAD BRAKE WEAR / CONTACT USURE FREIN				
BP3	AL35345	1	STABILIZER PRESSURE SENSOR / PRESSOSTAT STABILISATEUR	1			1
BQ1./	7300482	3	PROXIMITY SWITCH / CAPTEUR				
BQ2./	AL71275	1	PROXIMITY SWITCH / DETECTEUR				
BT1	WITH ENGINE PARTS	1	ALTERNATOR / ALTERNATEUR				
BT2	AL71051	1	TEMPERATURE SENDER / SONDE TEMPERATURE	1			1
BT3	WITH GEAR BOX	1	TEMPERATURE SENDER / SONDE TEMPERATURE	1			1
BT4	7300178	1	TEMPERATURE SENDER / SONDE TEMPERATURE	1			1
BT4	9200673	1	ADAPTOR / ADAPTATEUR				
E01./	7600198	1	LEFT FRONT HEADLIGHT / COMBINE PHARE GAUCHE	1			1

Chapter 4-3 - Detailed Parts List

Item	PN	QTY	Details	P	M	O	C
E01.1	7600206	1	LAMP BA15S 1W 12Vdc / LAMPE BA15S 1W 12Vdc		1		1
E01.2	7600202	1	LAMP PK22s 55W 12V / LAMPE PK22s 55W 12V		1		1
E01.3	7600208	1	LAMP BA15S 2W 12V / LAMP BA15S 12V 21W		1		1
E01.4	7600204	1	BULB, 12V, 55W, H1, P14,5S / AMPOULE, 12V, 55W				
E02./	7600206	1	RIHGT FRONT HEADLIGHT / COMBINE PHARE DROIT				
E02.1	7600206	1	LAMP BA15S 1W 12Vdc / LAMPE BA15S 1W 12Vdc				
E02.2	7600202	1	LAMP PK22s 55W 12V / AMPOULE PK22s 55W 12V				
E02.3	7600208	1	LAMPE BA15S 2W 12V / LAMP BA15S 2W 12V				
E02.4	7600204	1	BULB, 12V, 55W, H1, P14,5S / AMPOULE, 12V, 55W				
E03./	AL71279	1	REAR RIGHT HEAD LIGHT / FEU ARRIERE DROIT				
E03.1	7600107	1	LAMP BA15S 12V 5W / LAMPE BA15S 12V 5W		1		1
E03.2 E3.3 E3.4	7600036	3	LAMPE BA15S 21W 12V / LAMP BA15S 12V 21W		1		1
E04./	AL71277	1	REAR LEFT HEAD LIGHT / FEU ARRIERE GAUCHE				
E04.1	7600107	1	LAMP BA15S 12V 5W / LAMPE BA15S 12V 5W				
E04.2 E4.3 E4.4	7600036	3	LAMPE BA15S 21W 12V / LAMP BA15S 12V 21W				
E06./	AL71256	14	LIGHT / LUMINAIRE				

Chapter 4-3 - Detailed Parts List

Item	PN	QTY	Details	P	M	O	C
E07	WITH CAB PARTS	1	TOP LIGHT / PLAFONNIER				
E08./	7633119	1	WORKING LIGHT / PHARE DE TRAVAIL				
E08./	7600027	1	LAMP 12V 55W / LAMPE 12V 55W	1			1
E09.1	7600191	1	ORANGE FLASHING LIGHTS / FEUX A ECLATS ORANGE				
E11.2	7600190	1	RED FLASHING LIGHTS / FEUX A ECLATS ROUGE				
EA1 EA2 SQ3./	AL61301	2	ELECTROVALVE FOR FLIGHT CLAMPING / ELECTRO AIMANT BLOCAGE				
ENR	AL71329	1	REEL 8X1mm ² 10 m / ENROULEUR 8X1mm ² 10 m				
EVAM	WITH ENGINE PARTS	1	ALTERNATOR / ALTERNATEUR				
F05./	7533048	2	CIRCUIT BRAKER / DISJONCTEUR 6A				
F10./	7533049	5	CIRCUIT BRAKER / DISJONCTEUR 10A				
F10.5	7533050	8	CIRCUIT BRAKER / DISJONCTEUR 15A				
F15./	7533050	1	CIRCUIT BRAKER / DISJONCTEUR 15A				
F25./	7500248	1	CIRCUIT BREAKER 20A / DISJONCTEUR 20A				
F50	7500258	1	FUSE 50A / FUSIBLE 50A	1			1
F50.1	7533078	1	FUSE 50A / FUSIBLE 50A	1			1
G1.1	7133019	1	BATTERY / BATTERIE	1			1

Chapter 4-3 - Detailed Parts List

Item	PN	QTY	Details	P	M	O	C
GT1	7400222	1	DIRECTION INDICATOR UNIT / CENTRALE CLIGNOTANTE				1
H1./	7700112	1	SIGNAL LIGHT DIAL / MODULE 8 VOYANTS				1
H1./	7700124	1	SIGNAL LIGHT DIAL / MODULE 8 VOYANTS				1
H2./ P1	7700115	1	SIGNAL LIGHT DIAL + HOURMETER / MODULE 4 VOYANTS + HORAMETRE				1
H3./	7700113	1	SIGNAL LIGHT DIAL / MODULE 8 VOYANTS				1
HS5 SA5	7300433	1	SWITCH LIGHT / INTERRUPTEUR LUMINEUX				
HS5 SA5	7300437	1	PICT, HAZARD LIGHTS SWITCH / PICTO WARNING				
HS6 SA6	7300432	1	SWITCH LIGHT / INTERRUPTEUR LUMINEUX				1
HS6 SA6	7300438	1	FLOODLIGHT PICTO / PICTO PROJECTEUR				
HS7 SA7	7300434	1	SWITCH LIGHT / INTERRUPTEUR LUMINEUX				1
HS7 SA7	7300435	1	WINDSCREEN PICTO / PICTO ESSUIE/GLACE AV				
HS8 SA8	7300432	1	SWITCH LIGHT / INTERRUPTEUR LUMINEUX				1
HS8 SA8	7300436	1	FLIGHT LIGHTING PICTO / PICTO ECLAIRAGE VOLEE				
KA10	7400189	1	RELAY 4RT 24Vdc / RELAIS 2OF 12Vdc BI STABLE				
KA10	7400092	1	BRACKET / SUPPORT RELAIS 4RT				
KA5	7400185	1	RELAY 2RT 12Vdc / RELAIS 2OF 12Vdc				

Chapter 4-3 - Detailed Parts List

Item	PN	QTY	Details	P M O C
KA5	7400182	1	BRACKET / SUPPORT MINI RELAIS	
KA5	7400181	1	BRACKET / ETRIER DE MAINTIEN	
KA6-8-9-12-13-14-15	7400168	5	RELAY 1RT / MINI RELAIS 1OF	
KA6-8-9-12-13-14-15	7400169	5	BRACKET / SUPPORT RELAIS	
KADE KAPR	7400173	2	RELAY 1RT 20A 12Vdc + DIOD / RELAIS 1OF 20a 12Vdc + DIODE	
KAEM	7400196	1	RELAY / RELAIS;COMMANDE;12V;3OF;10A	
KAFM KARM	7400187	2	RELAY / RELAIS	1
KAU/	7400170	2	RELAY / RELAIS	1
KM1	7400142	1	RELAY 75A 12V 1OF / RELAIS 75A 12V 1OF	1
KM50-53-54-55 KMKL/D	7400173	8	RELAY 1RT 20A 12Vdc + DIOD / RELAIS 1OF 20a 12Vdc + DIODE	1
KMAL.1	7400147	1	RELAY 4RT 12Vdc / RELAIS 4OF 12Vdc	1
M1	WITH ENGINE PARTS	1	ALTERNATOR / ALTERNATEUR	
M2	5933202-100	1	WINDSCREEN WIPER MOTOR / MOTEUR ESSUIE GLACE AV	
M3.1	5933044-001	1	WINDSCREEN WASHER MOTOR / MOTEUR LAVE GLACE	
M4	WITH MECHANICAL PARTS	1	GEAR BOX FAN MOTOR / MOTEUR VENTILATION BV	
MAV MAR	WITH HYDRAULIC PARTS	2	PAD BRAKE WEAR / CONTACT USURE FREIN	

Chapter 4-3 - Detailed Parts List

Item	PN	QTY	Details	P	M	O	C
P1 H2./	7700115	1	SIGNAL LIGHT DIAL + HOURMETER / MODULE 4 VOYANTS + HORAMETRE				1
P2 P3	7700114	1	FUEL DIAL / CADRAN CARBURANT				1
PRE	AL71333	1	GLOW PLUG TIMER / BOITIER DE PRECHAUFFAGE			1	1
PRE	7400201	1	PREHEATING RELAY / RELAIS DE PRECHAUFFAGE	1			1
R1	7900143	1	RESISTANCE 51Ohms / RESISTANCE 51Ohms				
R1	7200005	1	CONNECTING BLOCS / BLOC DE JONCTION				
R1	7200010	1	PIN / FICHE				
R2	7900002	1	RESISTOR, 100 OHMS, 2W / RESISTANCE 100 Ohms				
RPR	WITH ENGINE PARTS	1	ALTERNATOR / ALTERNATEUR				
SA1	7300001	1	CIRCUIT BREAKER / COUPE BATTERIE			1	
SA2	7333054	1	SELECTOR SWITCH / CONTACT A CLE			1	1
SA3	7300498	1	LEVER GEAR BOX SWITCH / LEVIER DE VITESSE				
SA3	7300498	1					
SA4	AL71258	1	SELECTOR SWITCH / COMODO				
SA5 HS5	7300433	1	SWITCH LIGHT / INTERRUPTEUR LUMINEUX				1
SA5 HS5	7300437	1	PICT, HAZARD LIGHTS SWITCH / PICTO WARNING				

Chapter 4-3 - Detailed Parts List

Item	PN	QTY	Details	P	M	O	C
SA6 HS6	7300432	1	SWITCH LIGHT / INTERRUPTEUR LUMINEUX				1
SA6 HS6	7300438	1	FLOODLIGHT PICTO / PICTO PROJECTEUR				
SA7 HS7	7300434	1	SWITCH LIGHT / INTERRUPTEUR LUMINEUX				1
SA7 HS7	7300435	1	WINDSCREEN PICTO / PICTO ESSUIE/GLACE AV				
SA8 HS8	7300432	1	SWITCH LIGHT / INTERRUPTEUR LUMINEUX				1
SA8 HS8	7300436	1	FLIGHT LIGHTING PICTO / PICTO ECLAIRAGE VOLEE				
SA9 HS9	7300432	1	SWITCH LIGHT / INTERRUPTEUR LUMINEUX				
SA9 HS9	7300438	1	FLOODLIGHT PICTO / PICTO PROJECTEUR				
SB1.1	7300362	1	EMERGENCY STOP / ARRET D'URGENCE				
SB1.1	7300360	1	CONTACT 1NF (DEPENDING VERSIONS) / CONTACT 1NF (SUIVANT VERSIONS)				
SB1.1	7300361	1	CIRCULAR LABEL / ETIQUETTE CIRCULAIRE				
SB6.1	7300364	1	PUSH BUTTON / BOUTON POUSSOIR				
SB6.1	7300368	2	BODY + CONTACT 1NO / CORPS + CONTACT 1NO				
SQ1	AL80817-100	1	SWITCH / MICRO-CONTACT				
SQ2.1	6400134-100	1	MICRO SWITCH / MICRO CONTACT COMMANDE TAQUET HERSE				
SQ2.2	6400134-100	1	MICRO SWITCH / MICRO CONTACT COMMANDE TAQUET HERSE				

Chapter 4-3 - Detailed Parts List

Item	PN	QTY	Details	P	M	O	C
SQ2.2	7300477	1	MICRO SWITCH / MICRO CONTACT				
SQ3./ EA1 EA2	AL61301	2	ELECTROVALVE FOR FLIGHT CLAMPING / ELECTRO AIMANT BLOCAGE				
SQ4./	AL71201	2	SAFETY BELT / CEINTURE A ENROULEUR				
V/	7733185	16	330 Ohms RESISTOR / RESISTANCE 330 OHMS				
V10.4	7900001	1	DIOD / DIODE				
V10.4	7200005	1	CONNECTING BLOCS / BLOC DE JONCTION				
V10.4	7200010	1	PIN / FICHE				



Document #30003

Factory Doc#: 503427

Revision:

Category: ELEC CONTROL

Doc Type: PARTS DIAGRAM

Description

ELECTRICITY - SPARE PARTS - CE KIT

French Description

ELECTRICITE - PIECES DETACHEES - KIT CE

VOIR SCHEMA ELECTRIQUE CHAPITRE 2/2-A-1
SEE ELECTRICAL SCHEMATIC CHAPTER 2/2-A-1

Chapter 4-3 - Detailed Parts List

Item	PN	QTY	Details	P	M	O	C
RL28	7400021	1	RELAY 1RT / RELAIS 1OF				1
RL28	7400023	1	BRACKET / EMBASE RELAIS				

Chapter 4-3 - Detailed Parts List

Page Intentionally Left Blank



Document #34470

Factory Doc#: 503452

Revision:

Category: ELEC CONTROL

Doc Type: PARTS DIAGRAM

Description

ELECTRICITY - SPARE PARTS - SAFETY SHOE

French Description

ELECTRICITE - PIECES DETACHEES - SAFETY SHOE

VOIR SCHEMA ELECTRIQUE CHAPITRE 2/2-A-1
SEE ELECTRICAL SCHEMATIC CHAPTER 2/2-A-1

Chapter 4-3 - Detailed Parts List

Item	PN	QTY	Details	P	M	O	C
BP4	502955	1	SAFETY SHOE PEDAL / PEDALE SAFETY SHOE AVEC NEW BORDURE FS				
BP4	7300460	1	SAFETY SHOE BORDER / BORDURE SAFETY SHOE				
E11.1	7600190	1	RED FLASHING LIGHTS / FEUX A ECLATS ROUGE				
F10.21	7533049	1	CIRCUIT BRAKER / DISJONCTEUR 10A				
KA8 KA9	7400185	2	RELAY 2RT 12Vdc / RELAIS 2OF 12Vdc				
KA8 KA9	7400182	2	BRACKET / SUPPORT RELAIS 4RT				
KA8 KA9	7400181	2	BRACKET / ETRIER DE MAINTIEN				
KL2.2	AL71307	1	HORN / BUZZER				
KM51	7400173	1	RELAY 1RT 20A 12Vdc + DIOD / RELAIS 1OF 20a 12Vdc + DIODE				

Chapter 4-3 - Detailed Parts List

Page Intentionally Left Blank



Document #30005

Factory Doc#: 502353 - 502354

Revision:

Category: ELEC CONTROL

Doc Type: PARTS DIAGRAM

Description

ELECTRICITY - SPARE PARTS - HEATING CAB

French Description

ELECTRICITE - PIECES DETACHEES - CHAUFFAGE CABINE

VOIR SCHEMA ELECTRIQUE CHAPITRE 2/2-A-1
SEE ELECTRICAL SCHEMATIC CHAPTER 2/2-A-1

Chapter 4-3 - Detailed Parts List

Item	PN	QTY	Details	P	M	O	C
M4	4233372	1	HEATER AND FAN MOTOR / CHAUFFAGE EAU COMPACT				
S25	7333342	1	FAN LIGHTING SWITCH / INTERRUPTEUR LUMINEUX				1

Chapter 4-3 - Detailed Parts List

Page Intentionally Left Blank



Document #35028

Factory Doc#: 503458

Revision:

Category: ELEC CONTROL

Doc Type: PARTS DIAGRAM

Description

ELECTRICITY - SPARE PARTS - ROTARY BEACON ON CAB

French Description

ELECTRICITE - PIECES DETACHEES - GYROPHARE SUR CABINE

VOIR SCHEMA ELECTRIQUE CHAPITRE 2/2-A-1
SEE ELECTRICAL SCHEMATIC CHAPTER 2/2-A-1

Chapter 4-3 - Detailed Parts List

Item	PN	QTY	Details	P	M	O	C
GY	7600166	1	ROTARY BEACON / GYROPHARE				

Chapter 4-3 - Detailed Parts List

Page Intentionally Left Blank



Document #30003

Factory Doc#: 503427

Revision:

Category: ELEC CONTROL

Doc Type: PARTS DIAGRAM

Description

ELECTRICITY - SPARE PARTS - CE KIT

French Description

ELECTRICITE - PIECES DETACHEES - KIT CE

VOIR SCHEMA ELECTRIQUE CHAPITRE 2/2-A-1
SEE ELECTRICAL SCHEMATIC CHAPTER 2/2-A-1

Chapter 4-3 - Detailed Parts List

Item	PN	QTY	Details	P	M	O	C
RL28	7400021	1	RELAY 1RT / RELAIS 1OF				1
RL28	7400023	1	BRACKET / EMBASE RELAIS				

Chapter 4-3 - Detailed Parts List

Page Intentionally Left Blank



Document #30001

Factory Doc#: 502110

Revision:

Category: ELEC CONTROL

Doc Type: PARTS DIAGRAM

Description

ELECTRICITY - SPARE PARTS - PLATFORM LITHING

French Description

ELECTRICITE - PIECES DETACHEES - ECLAIRAGE PLATFORM

VOIR SCHEMA ELECTRIQUE CHAPITRE 2/2-A-1
SEE ELECTRICAL SCHEMATIC CHAPTER 2/2-A-1

Chapter 4-3 - Detailed Parts List

Item	PN	QTY	Details	P	M	O	C
E6.5	AL71256	2	LIGHT / LUMINAIRE				

Chapter 4-3 - Detailed Parts List

Page Intentionally Left Blank



Document #36131

Factory Doc#: 503109 - 503110 - Nouvelle carte

Revision:

Category: ELEC CONTROL

Doc Type: PARTS DIAGRAM

Description

ELECTRICITY - SPARE PARTS - EMERGENCY POWER UNIT

French Description

ELECTRICITE - PIECES DETACHEES - GROUPE SECOURS

VOIR SCHEMA ELECTRIQUE CHAPITRE 2/2-A-1
SEE ELECTRICAL SCHEMATIC CHAPTER 2/2-A-1

Chapter 4-3 - Detailed Parts List

Item	PN	QTY	Details	P	M	O	C
F125	7500227	1	FUSE 125A / FUSIBLE 125A		1		1
F25.2	7533049	1	CIRCUIT BRAKER / DISJONCTEUR 10A				1
KMAL.3	7400023	1	BRACKET / EMBASE RELAIS				
KMAL.3	7400021	1	RELAIS / RELAIS 10F				
M6	AL80790	1	MOTOR PUMP UNIT / GROUPE MOTO POMPE				
SB5.1	7333287	1	COVER / CAPOT CADENASSABLE POUR BP ; 22				
SB5.1	7300383	1	PUSH BUTTON 1NO / BOUTON POUSSOIR 1NO				

Chapter 4-3 - Detailed Parts List

Page Intentionally Left Blank



Document #30004

Factory Doc#: 503108

Revision:

Category: ELEC CONTROL

Doc Type: PARTS DIAGRAM

Description

ELECTRICITY - SPARE PARTS - REAR WIPER

French Description

ELECTRICITE - PIECES DETACHEES - ESSUIE-GLACE ARRIERE

VOIR SCHEMA ELECTRIQUE CHAPITRE 2/2-A-1
SEE ELECTRICAL SCHEMATIC CHAPTER 2/2-A-1

Chapter 4-3 - Detailed Parts List

Item	PN	QTY	Details	P	M	O	C
M6	5933187-301	1	WINDSCREEN WIPER MOTOR / MOTEUR ESSUIE GLACE AR				
M7	5933044-101	1	WINDSCREEN WASHER MOTOR / MOTEUR LAVE GLACE				
S26	7300434	1	SWITCH / INTERRUPTEUR LUMINEUX				1
S26	7300452	1	PICTOGRAM REAR WINDOWS WASHER / PICTO ESSUIE/LAVE GLACE AR				

Chapter 4-3 - Detailed Parts List

Page Intentionally Left Blank



Document #30368

Factory Doc#: 503353-503450

Revision:

Category: ELEC CONTROL

Doc Type: PARTS DIAGRAM

Description

ELECTRICITY - SPARE PARTS - STOP ON ENGINE FAULT

French Description

ELECTRICITE - PIECES DETACHEES - COUPURE SUR DEFAUT MOTEUR

VOIR SCHEMA ELECTRIQUE CHAPITRE 2/2-A-1
SEE ELECTRICAL SCHEMATIC CHAPTER 2/2-A-1

Chapter 4-3 - Detailed Parts List

Item	PN	QTY	Details	P	M	O	C
BN3	7700090	1	LEVEL SENSOR / DETECTEUR DE NIVEAU		1		1
KMARM	7400173	1	RELAY 1RT 20A 12Vdc + DIOD / RELAIS 1OF 20a 12Vdc + DIODE				1
KTAL	7400171	1	TIMER RELAY 20F 12Vdc / TEMPORISATEUR 20F 12Vdc				1

Chapter 4-3 - Detailed Parts List

Page Intentionally Left Blank



Document #35024

Factory Doc#: 503459

Revision:

Category: ELEC CONTROL

Doc Type: PARTS DIAGRAM

Description

ELECTRICITY - SPARE PARTS - FLOODLIGHT UNDER PLATFORM

French Description

ELECTRICITE - PIECES DETACHEES - PROJECTEUR SOUS PLATE-FORME

VOIR SCHEMA ELECTRIQUE CHAPITRE 2/2-A-1
SEE ELECTRICAL SCHEMATIC CHAPTER 2/2-A-1

Chapter 4-3 - Detailed Parts List

Item	PN	QTY	Details	P	M	O	C
E8.3	7633119	1	WORKING LIGHT / PROJECTEUR DE TRAVAIL				
E8.3	7600027	1	LAMP 12V 55W / LAMPE 12V 55W		1		1
F10.20	7533049	1	CIRCUIT BRAKER / DISJONCTEUR 10A				
SA10 HS10	7300432	1	SWITCH LIGHT / INTERRUPTEUR LUMINEUX				
SA10 HS10	7300438	1	FLOODLIGHT PICTO / PICTO PROJECTEUR				

Page Intentionally Left Blank



Document #16231

Factory Doc#: ABS5S13010001201

Revision:

Category: ELEVATOR

Doc Type: PARTS DIAGRAM

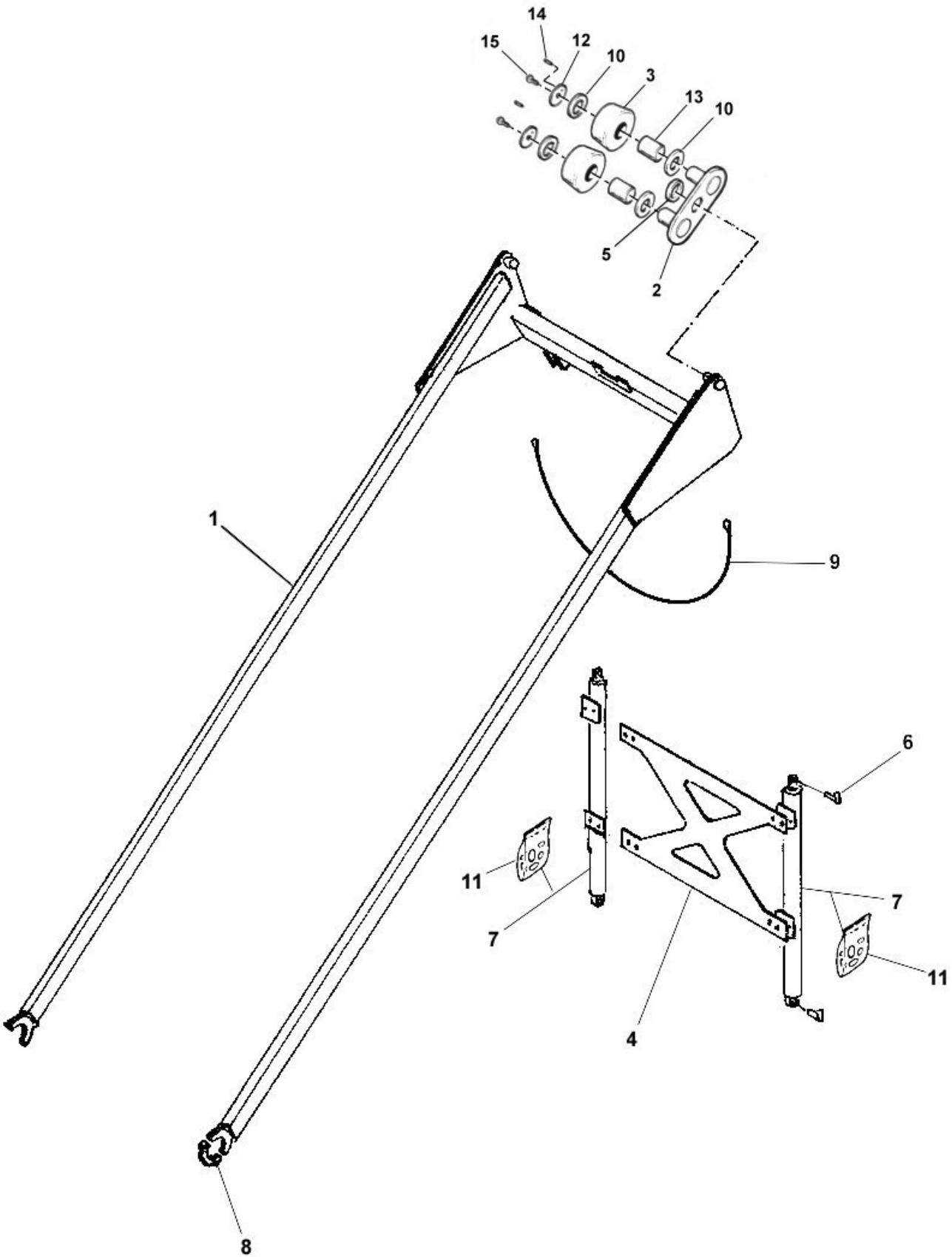
Description

CROSS BAR - 503123

French Description

HERSE - 503123

Chapter 4-3 - Detailed Parts List



Chapter 4-3 - Detailed Parts List

Item	PN	QTY	Details	P	M	O	C
01	9503145	1 EA	CROSS BAR FLIGHT / HERSE DE VOLEE				
02	9207440	2 EA	TROLLEY / TROLLEY			2	
03	9207444	4 EA	ROLLER / GALET			4	
04	AL1239567	1 EA	CROSS / CROISILLON DE HERSE				
05	AL41452	2 EA	TROLLEY HOLDER / ARRET DE TROLLEY				
06	AL41425	4 EA	FOOT CYLINDER AXLE / AXE DE VERIN			4	
07	6700214	2 EA	CYLINDER / VERIN				1
08	9406896	2 EA	FORK / CHAPE				
09	AL1439067	1 EA	MANUAL LOWERING CONTROL CABLE / CABLE DE COMMANDE DESCENTE MANUELLE				
10	4200419	4 EA	WASHER / RONDELLE			4	
11	6700214-100	1 EA	SEALS, KIT / POCHETTE DE JOINTS		1	1	
12	9207443	4 EA	STOP ROLLER / ARRET DE GALET				
13	4200418	4 EA	BUSHER / BAGUE			4	
14	3500116	4 EA	PIN / GOUPILLE				
15	3100149	4 EA	SCREW / VIS				

Chapter 4-3 - Detailed Parts List

Page Intentionally Left Blank



Document #36618

Factory Doc#: BLTHS01090001200

Revision:

Category: ENGINE

Doc Type: PARTS DIAGRAM

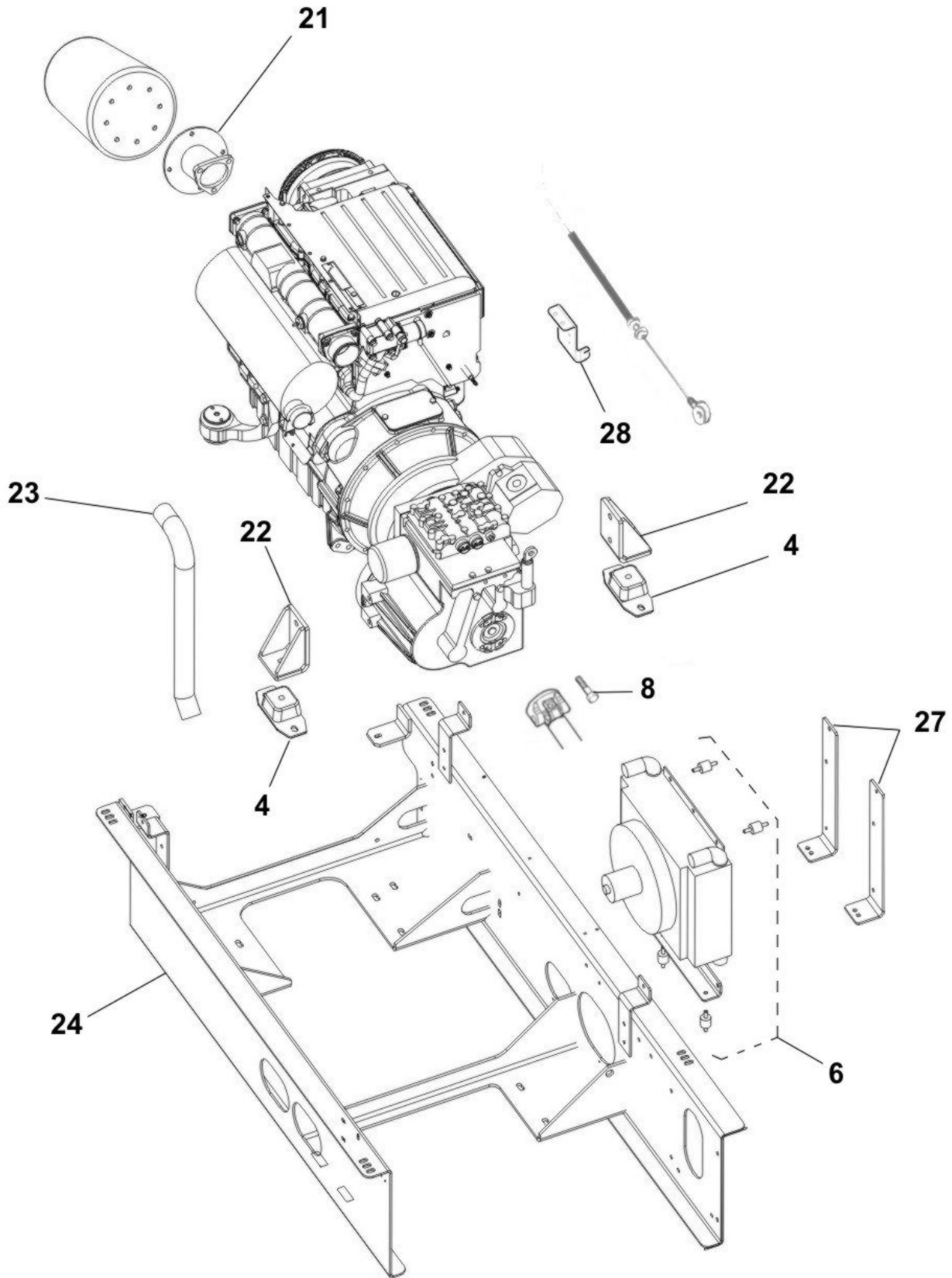
Description

ENGINE MOUNT - 503754

French Description

BERCEAU MOTEUR - 503754

Chapter 4-3 - Detailed Parts List



Chapter 4-3 - Detailed Parts List

Item	PN	QTY	Details	P	M	O	C
04	4200199	2	RUBBER MOUNT, PST / SILENTBLOC		2	2	
06			SEE OIL COOLING MOUNT / VOIR MONTAGE RADIATEUR D'HUILE				
08	5100072	4	SCREW / VIS DE CARDAN				
10	9207948	1	ACCELERATION PIN / AXE D'ACCELERATION				
20	9204518	1	BRACKET, THROTTLE CABLE / SUPPORT ARRET DE GAINÉ				
21	9251547	1	AIR FILTER BRACKET / COLLECTEUR FILTRE A AIR				
22	9407120	2	MOUNT, TRANSMISSION, PST / SUPPORT BOITE VOITH				
23	9408240	1	EXHAUST PIPE / EXHAUST PIPE				
24	9503498	1	ENGINE MOUNT / BERCEAU MOTEUR				
27	9407458	1	COOLING SYSTEM BRACKET / SUPPORT REFROIDISSEUR				
28	9409921	1	BRACKET / ARRET GAINÉ CABLE ACCELERATION				
30	3500087	1	CIRCLIPS / CIRCLIPS EXT. D.6				

Chapter 4-3 - Detailed Parts List

Page Intentionally Left Blank



Document #36553

Factory Doc#: 0000S01011501200

Revision:

Category: ENGINE

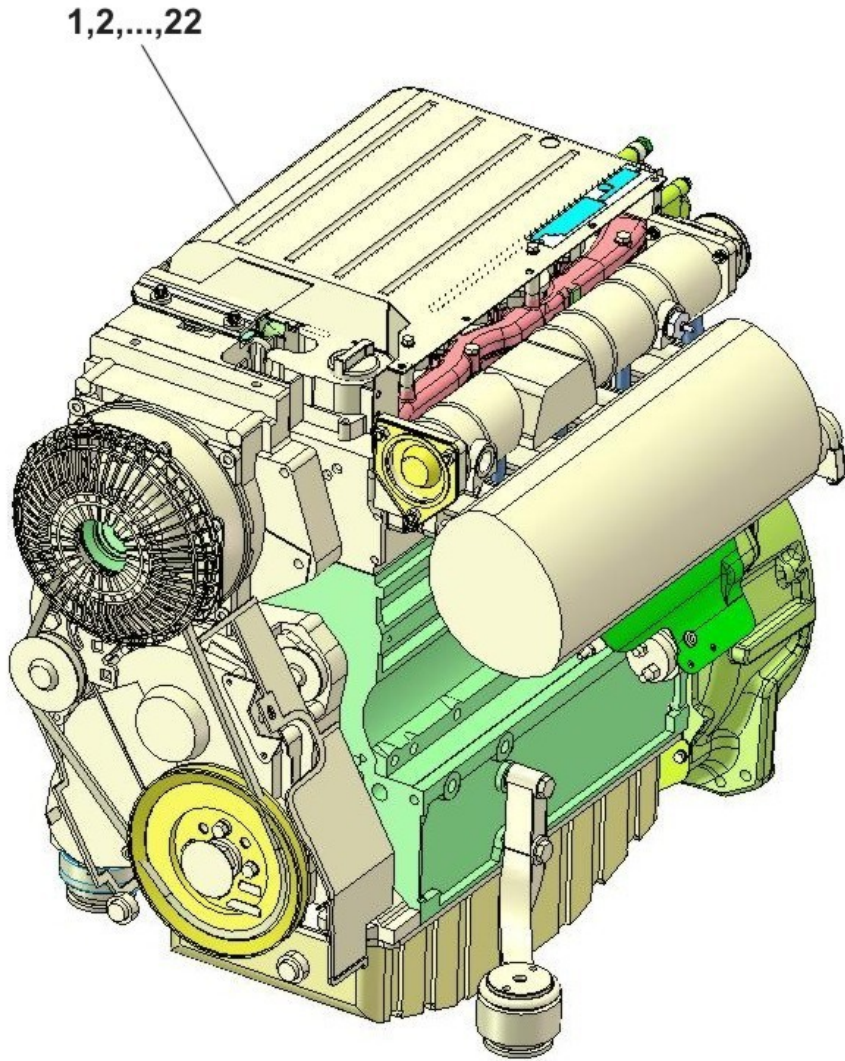
Doc Type: PARTS DIAGRAM

Description

ENGINE COLLECTION - D2011 - SP.207002 - 5000136

French Description

COLLECTION MOTEUR - D2011 - SP.207002 - 5000136



Chapter 4-3 - Detailed Parts List

Item	PN	QTY	Details	P	M	O	C
01	5000136 ou 5000138	1 EA	DEUTZ ENGINE / MOTEUR DEUTZ				
02-NR	5033251-025	1 EA	GAUGE SEAL / JOINT DE JAUGE		1		
03-NR	5033027-033	1 EA	PLUG, DRAIN / BOUCHON DE VIDANGE	1			
04-NR	5033251-008	1 EA	DRAIN SEAL / JOINT DE VIDANGE	8			
05-NR	5033395-007	1 EA	BRENCH COVER SEAL / JOINT CACHE CULBUTEUR		1		
06-NR	5033377-190	1 EA	OIL PLUG / BOUCHON REMPLISSAGE HUILE		1		
07-NR	5033251-010	1 EA	OIL FILTER / FILTRE A HUILE	8			
08-NR	5000113-002	4 EA	INJECTOR NOZZLE / NEZ D'INJECTEUR		4		
09-NR	5000109-004	4 EA	INJECTOR SEAL / JOINT INJECTEUR		4		
10-NR	5033210-008	1 EA	GASOIL FILTER / FILTRE A GASOIL	4			
11-NR	5000135-007	1 EA	PUMP / POMPE ALIMENTATION				1
12-NR	5033210-034	1	ENGINE STOP ELECTRO MAGNET / ELECTRO ARRET MOTEUR				1
13-NR	5000136-001	1	SOLENOID OVERLOAD / ELECTRO SURCHARGE		1		
14-NR	5033251-015	1 EA	PRIMARY FILTER / CARTOUCHE PRIMAIRE	1			
15-NR	5000020-108	1 EA	SAFETY CARTRIDGE / CARTOUCHE DE SECURITE	1			

Chapter 4-3 - Detailed Parts List

Item	PN	QTY	Details	P	M	O	C
16-NR	5000109-003	1 EA	ALTERNATOR BELT / COURROIE SOUFFLANTE ALTERNATEUR	2	2		
17-NR	5000130-003	1 EA	ALTERNATOR / ALTERNATEUR				1
18-NR	5000125-001	1 EA	STARTER / DEMARREUR				1
19-NR	5000113-013	1 EA	OIL PRESSURE SWITCH / MANO-CONTACT PRESSION HUILE	1	1		
20-NR	5000113-021	1 EA	OIL TEMPERATURE SWITCH / SONDE DE TEMPERATURE HUILE TARAGE 135°C	1	1		
21-NR	5000113-006	2	PREHEATING PLUG / BOUGIE DE PRECHAUFFAGE	2			
22-NR	5000113-012	1	TIMING BELT / KIT COURROIE DE DISTRIBUTION	1			



Document #36617

Factory Doc#: ABS5S01070101200

Revision:

Category: ENGINE

Doc Type: PARTS DIAGRAM

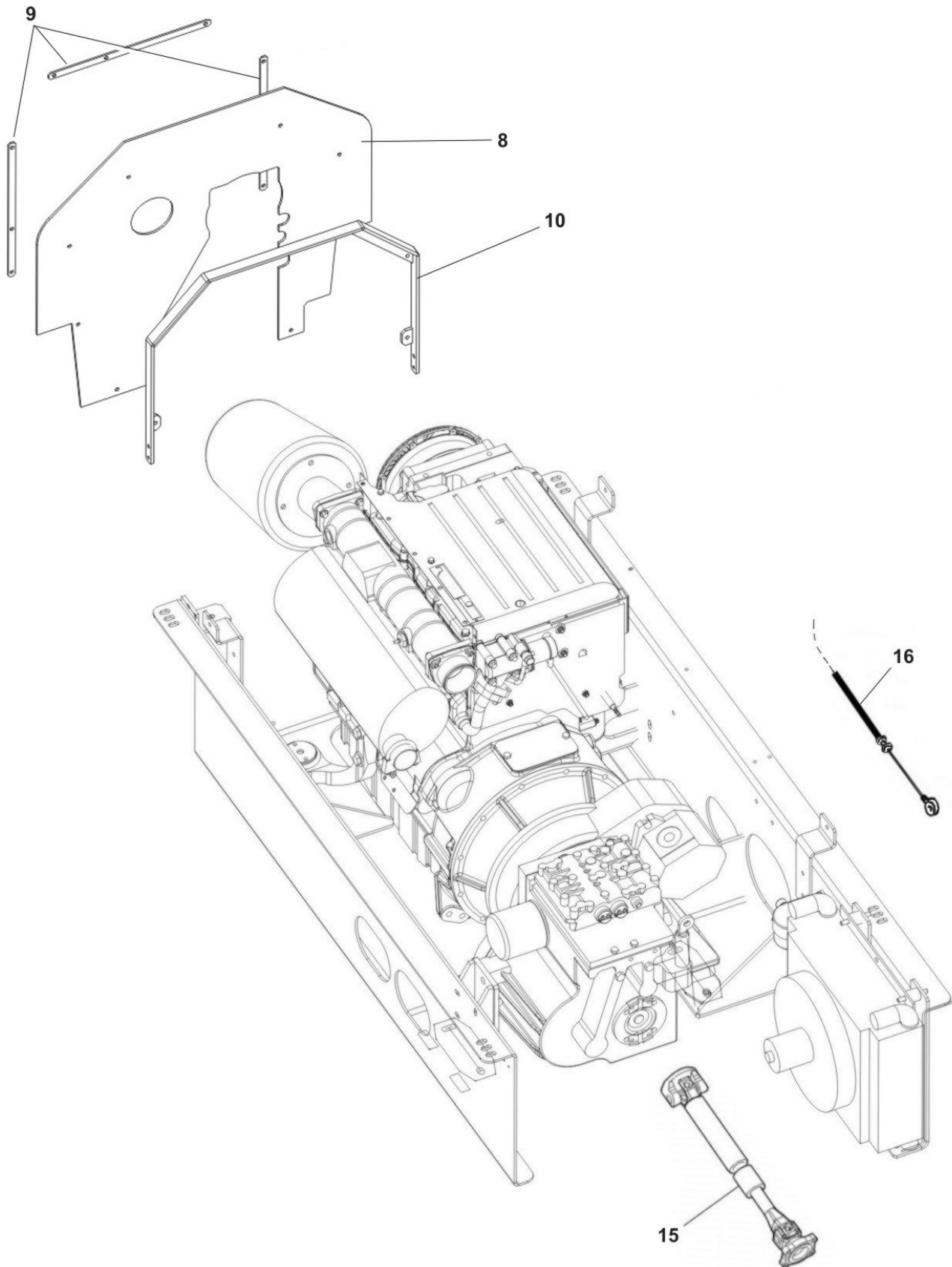
Description

ENGINE MOUNTING - CONTINUOUS - 503960

French Description

COMPLEMENT BERCEAU MOTEUR - 503960

Chapter 4-3 - Detailed Parts List



Chapter 4-3 - Detailed Parts List

Item	PN	QTY	Details	P	M	O	C
08	5100275	1	DRIVE SHAFT / TRANSMISSION			1	
09	5800480	1	ACCELERATOR CABLE / CABLE D'ACCELERATION		1	1	
10	9410090	1	RUBBER PLATE / BAVETTE MOTEUR				
15	9410091	3	PLATE / CONTREPLAT ARCEAU FS				
16	9410092	1	BRACKET / ARCEAU CAPOT MOTEUR				

Chapter 4-3 - Detailed Parts List

Page Intentionally Left Blank



Document #8649

Factory Doc#: BLTHS01050201200

Revision:

Category: ENGINE

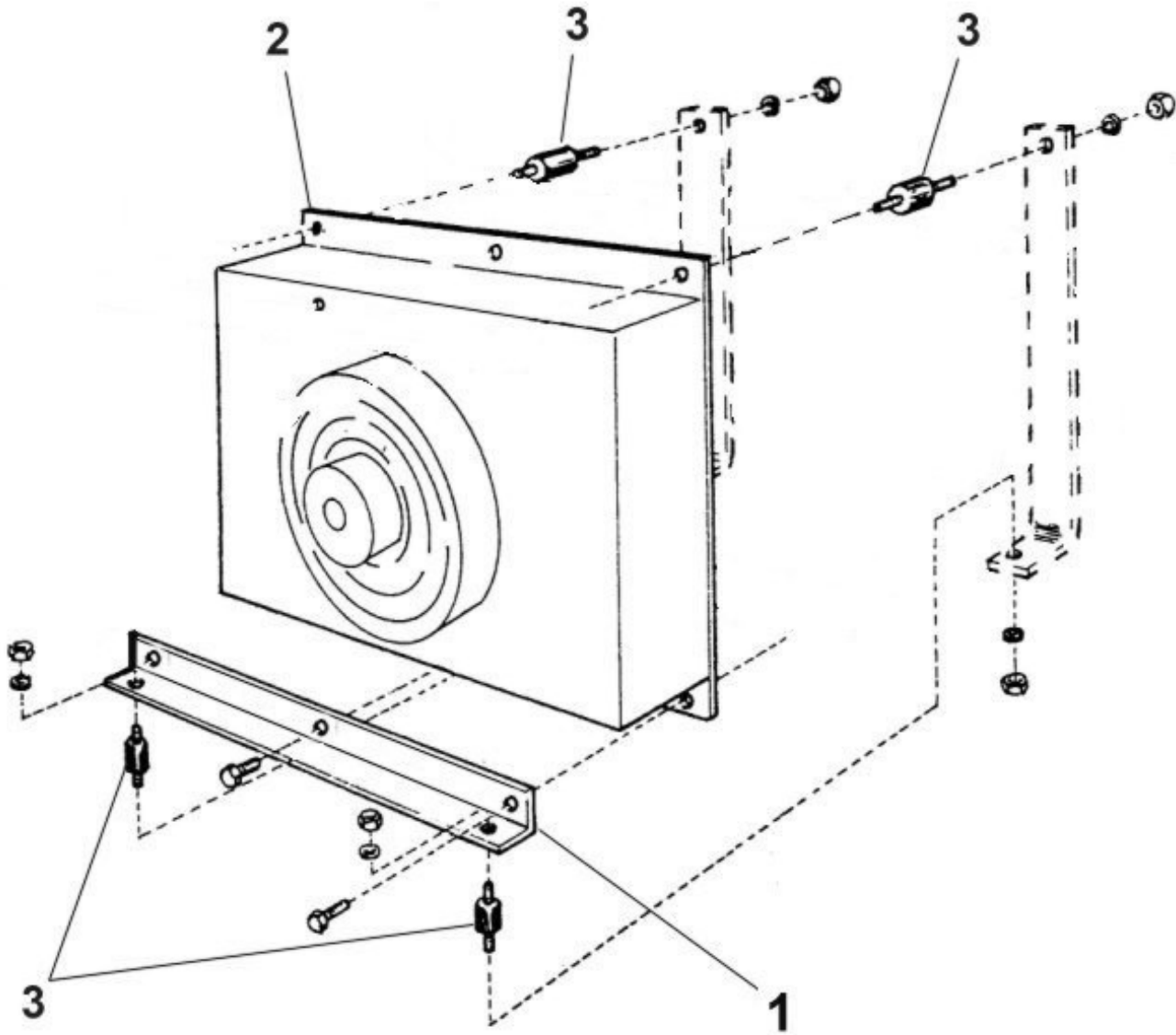
Doc Type: PARTS DIAGRAM

Description

OIL RADIATOR

French Description

RADIATEUR D'HUILE



Chapter 4-3 - Detailed Parts List

Item	PN	QTY	Details	P	M	O	C
01	9207170	1 EA	RADIATOR SUPPORT / SUPPORT RADIATEUR				
02	5100043	1 EA	OIL RADIATOR / RADIATEUR D'HUILE			1	1
03	4200054	4 EA	SILENTBLOC / SILENTBLOC			4	4
NO ILLUSTRATED	9200673	1 EA	ADAPTOR / ADAPTATEUR				
NO ILLUSTRATED	7300178	1 EA	TEMPERATURE SWITCH / THERMO CONTACT				

Chapter 4-3 - Detailed Parts List

Page Intentionally Left Blank



Document #37264

Factory Doc#: 9301995-A

Revision: A

Category: HYDRAULIC

Doc Type: PARTS DIAGRAM

Description

HYDRAULIC SCHEMATIC - SPARE PARTS

French Description

SCHEMA HYDRAULIQUE - PIECES DETACHEES

**VOIR SCHEMA HYDRAULIQUE CHAPITRE 2/2-B-1
SEE HYDRAULICAL SCHEMATIC CHAPTER 2/2-B-1**

Chapter 4-3 - Detailed Parts List

Item	PN	QTY	Details	P	M	O	C
01	SEE MECHANICAL SPARE PARTS	1 EA	HYDRAULIC TANK / RESERVOIR HYDRAULIQUE				
01	SEE MECHANICAL SPARE PARTS	EA	HYDRAULIC OIL / HUILE HYDRAULIQUE				
02	6800081	1 EA	RETURN FILTER / FILTRE RETOUR				
02	6800082	1 EA	CARTRIDGE / CARTOUCHE	4	1	1	
03	AL71248-100	1 EA	CLOGGING INDICATOR / INDICATEUR DE COLMATAGE			1	
04	6800072	1 EA	FILLER CAP / BOUCHON RENIFLARD				
05	6833064	1 EA	GATE VALVE / VANNE BASSE PRESSION				
06	AL80790	1 EA	EMERGENCY PUMP / GROUPE SECOURS				
07	AL35370	1 EA	CHECK VALVE / CLAPET ANTI RETOUR				
08	6500123	1 EA	HAND PUMP / POMPE A MAIN				
09	AL35370	1 EA	CHECK VALVE / CLAPET ANTI RETOUR				
10	6500190	1 EA	HYDRAULIC PUMP / POMPE HYDRAULIQUE			1	1
11	6800013	1 EA	CHECK VALVE / CLAPET ANTI RETOUR				
12	5500197	1 EA	BRAKE MASTER / MAITRE CYLINDRE				
13	6833174	1 EA	PRIORITY VALVE / VALVE DEBIT PRIORITAIRE				

Chapter 4-3 - Detailed Parts List

Item	PN	QTY	Details	P M O C
14	6800016	2 EA	TEST PORT / PRISE DE PRESSION	
15	AL71298	1 EA	STEERING UNIT / DISPOSITIF DE DIRECTION	
16	5833879	1 EA	STEERING COLUMN / COLONNE DE DIRECTION	
17	SEE MECHANICAL SPARE PARTS	1 EA	STEERING CYLINDER / VERIN DE DIRECTION	
18	6800391	1 EA	PRESSURE RELIEF VALVE / LIMITEUR DE PRESSION	
19	6400143	1 EA	VALVE WITH DEPORTED CONTROL / DISTRIBUTEUR MANUEL DEPORTE	
20	AL35205	1 EA	TILTING BLOC / BLOC INCLINAISON	
21	SEE MECHANICAL SPARE PARTS	1 EA	TILTING CYLINDER / VERIN D'INCLINAISON	
22	AL35205	1 EA	TILTING BLOC / BLOC INCLINAISON	
23	SEE MECHANICAL SPARE PARTS	1 EA	TILTING CYLINDER / VERIN D'INCLINAISON	
24	AL35365	1 EA	FLOW LIMITER / LIMITEUR DE DEBIT	
25	6800527	1 EA	PILOT CHECK VALVE / CLAPET ANTI RETOUR PILOTE	
26	SEE MECHANICAL SPARE PARTS	1 EA	STABILIZER CYLINDER / VERIN DE BEQUILLE	
27	AL35371	1 EA	FLOW LIMITER / LIMITEUR DE DEBIT	
28	SEE MECHANICAL SPARE PARTS	1 EA	STABILIZER CYLINDER / VERIN DE BEQUILLE	
30	SEE MECHANICAL SPARE PARTS	1 EA	STABILIZER CYLINDER / VERIN DE BEQUILLE	

Chapter 4-3 - Detailed Parts List

Item	PN	QTY	Details	P	M	O	C
32	SEE MECHANICAL SPARE PARTS	1 EA	STABILIZER CYLINDER / VERIN DE BEQUILLE				
34	AL35345	1 EA	PRESSURE SWITCH / PRESSOSTAT	1			1
35	6800014	1 EA	CHECK VALVE / CLAPET ANTI-RETOUR				
36	SEE MECHANICAL SPARE PARTS	1 EA	LIFTING CYLINDER / VERIN DE LEVAGE				
37	AL35376	1 EA	FLOW REGULATOR / REGULATEUR DE DEBIT				
38	6833174	1 EA	PRIORITY VALVE / VALVE DEBIT PRIORITAIRE				
39	6800130	1 EA	PRESSURE RELIEF VALVE / LIMITEUR DE PRESSION				

Chapter 4-3 - Detailed Parts List

Page Intentionally Left Blank



Document #30262

Factory Doc#: 503107

Revision:

Category: LABELS

Doc Type: PARTS DIAGRAM

Description

MANUAL-PAK BOX

French Description

PORTE DOCUMENT



Chapter 4-3 - Detailed Parts List

Item	PN	QTY	Details	P	M	O	C
	4233434	1 EA	MANUAL PAK / BOITE-PORTE DOCUMENTS				
	4501095	1 EA	STICKER DOCUMENTATION BOX / ETIQUETTE BOITE CATALOGUE				
	4533692	1 EA	STICKER / ETIQUETTE TLD				

Chapter 4-3 - Detailed Parts List

Page Intentionally Left Blank



Document #5353

Factory Doc#: ABS5S09080001200

Revision:

Category: OPTIONS

Doc Type: PARTS DIAGRAM

Description

WINDSCREEN WASHER

French Description

LAVE GLACE



Chapter 4-3 - Detailed Parts List

Item	PN	QTY	Details	P	M	O	C
	4200257	1 EA	SPRAY NOZZLE / GICLEUR				
01	5933044	1 EA	WINDSHIELD WASHER KIT INCLUDING 03 / KIT LAVE-GLACE COMPRENANT 03				
02	4200259	M EA	PVC HOSE / TUYAU PVC TRANSPARENT				
03	5933044-001	1 EA	12 V PUMP / POMPE 12V				1

Chapter 4-3 - Detailed Parts List

Page Intentionally Left Blank



Document #10263

Factory Doc#: ABS5S09140101200

Revision:

Category: OPTIONS

Doc Type: PARTS DIAGRAM

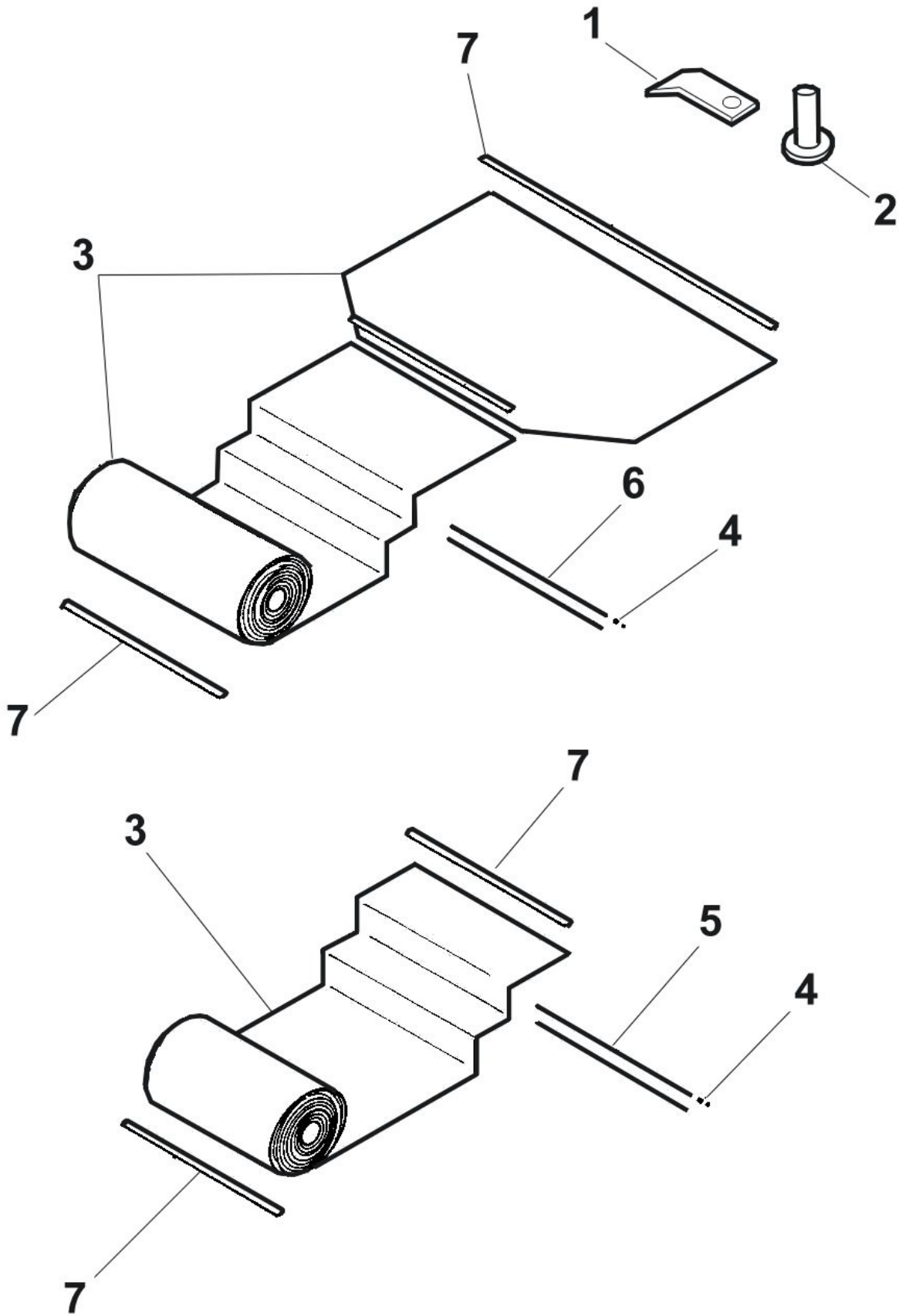
Description

VIP KIT - 2200 - 503889

French Description

KIT VIP - 2200 - 503889

Chapter 4-3 - Detailed Parts List



Chapter 4-3 - Detailed Parts List

Item	PN	QTY	Details	P	M	O	C
01	AL42770	1 EA	FLAG BRACKET / SUPPORT PORTE DRAPEAU				
02	AL80495	1 EA	FLAG / DRAPEAU				
03	4300037	1 EA	CARPET / MOQUETTE				
04	AL80385	104 EA	EYE BOLT / PITON				
05	AL80386	28 EA	BRASS ROD / TRINGLE LAITON				
06	AL80387	24 EA	BRASS ROD / TRINGLE LAITON				
07	AL61613	3 EA	BRASS DOORSILL / SEUIL DE PORTE				

Page Intentionally Left Blank



Document #15007

Factory Doc#: ABS5S09110101200

Revision:

Category: OPTIONS

Doc Type: PARTS DIAGRAM

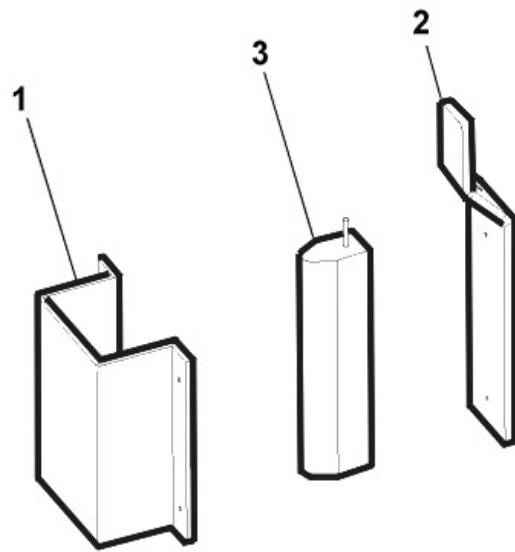
Description

SAFETY SHOE - 502975-502969-503452

French Description

SAFETY SHOE - 502975-502969-503452

Chapter 4-3 - Detailed Parts List



Chapter 4-3 - Detailed Parts List

Item	PN	QTY	Details	P	M	O	C
01	9406612	1 EA	STORAGE / STOCKAGE				
02	9408686	1 EA	HANDLE / POIGNEE				
03	7300460	1 EA	SWITCH / BORDURE SENSIBLE		1	1	1

Chapter 4-3 - Detailed Parts List

Page Intentionally Left Blank



Document #6399

Factory Doc#: ABS5S09040101200

Revision:

Category: OPTIONS

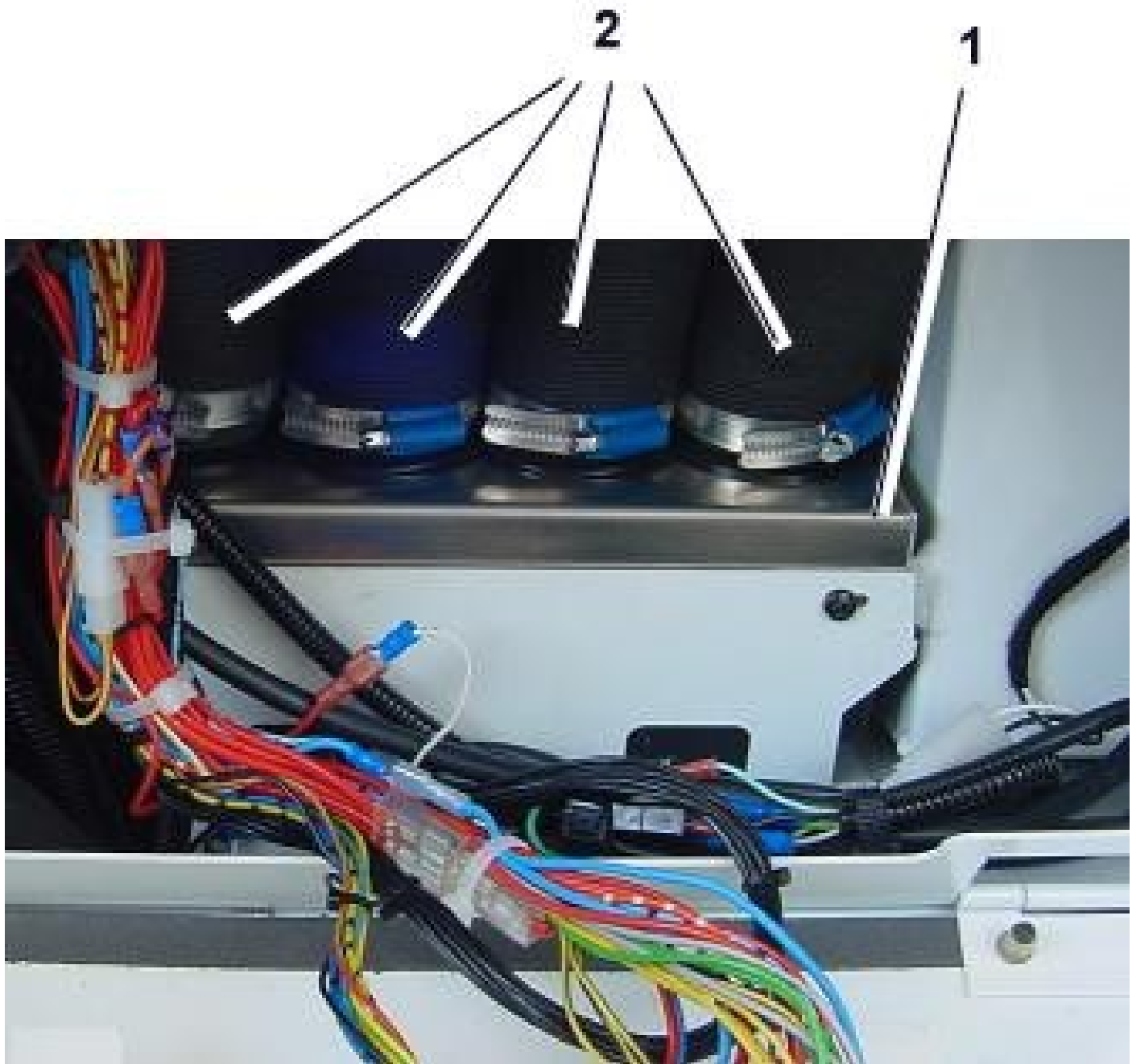
Doc Type: PARTS DIAGRAM

Description

HEATING - 502353

French Description

CHAUFFAGE - 502353



Chapter 4-3 - Detailed Parts List

Item	PN	QTY	Details	P	M	O	C
	2533046	10 EA	PIPE / TUYAU				
	AL80859	4 EA	UNION / RACCORD				
	4233373	1 EA	TAP / ROBINET				
	6200037	1 EA	UNION / RACCORD				
	9250360	1 EA	DURIT / DURITE CHAUFFAGE				
	6234051	2 EA	END / EMBOUT				
	6234141	4 EA	BEND / COUDE				
01	4233372	1 EA	HEATING / CHAUFFAGE				
02	4233210	5 EA	PIPE / GAINE VENTILATION				

Chapter 4-3 - Detailed Parts List

Page Intentionally Left Blank



Document #7130

Factory Doc#: ABS5S09120101200

Revision:

Category: OPTIONS

Doc Type: PARTS DIAGRAM

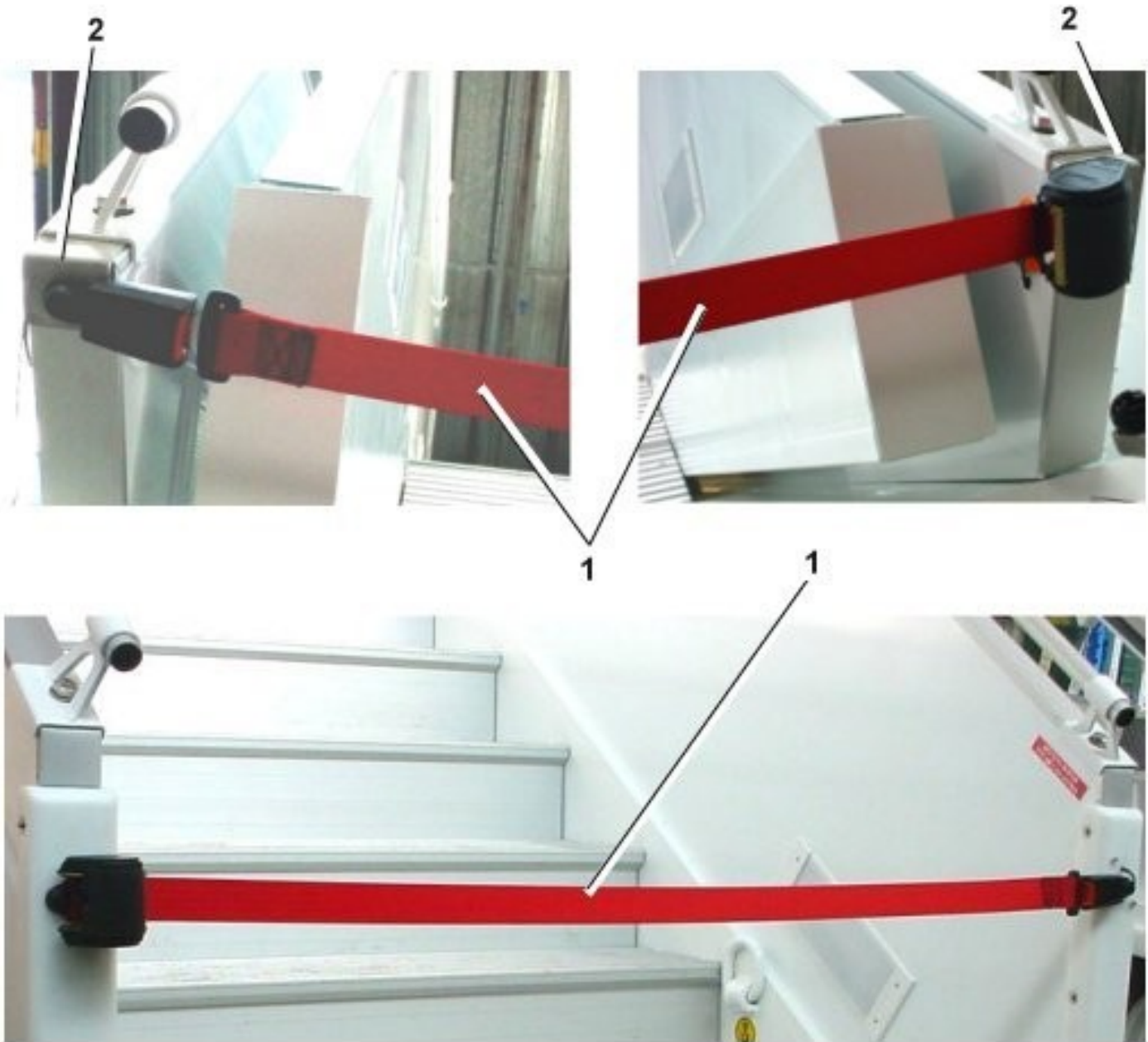
Description

SAFETY BELT (CE VERSION)

French Description

CEINTURE DE SECURITE (VERSION CE)

Chapter 4-3 - Detailed Parts List



Chapter 4-3 - Detailed Parts List

Item	PN	QTY	Details	P	M	O	C
01	AL71201	2 EA	SAFETY BELT / CEINTURE DE SECURITE			2	
02	9207225	2 EA	BELT BRACKET / SUPPORT SANGLE				

Chapter 4-3 - Detailed Parts List

Page Intentionally Left Blank



Document #15011

Factory Doc#: ABS5S09210001200

Revision:

Category: OPTIONS

Doc Type: PARTS DIAGRAM

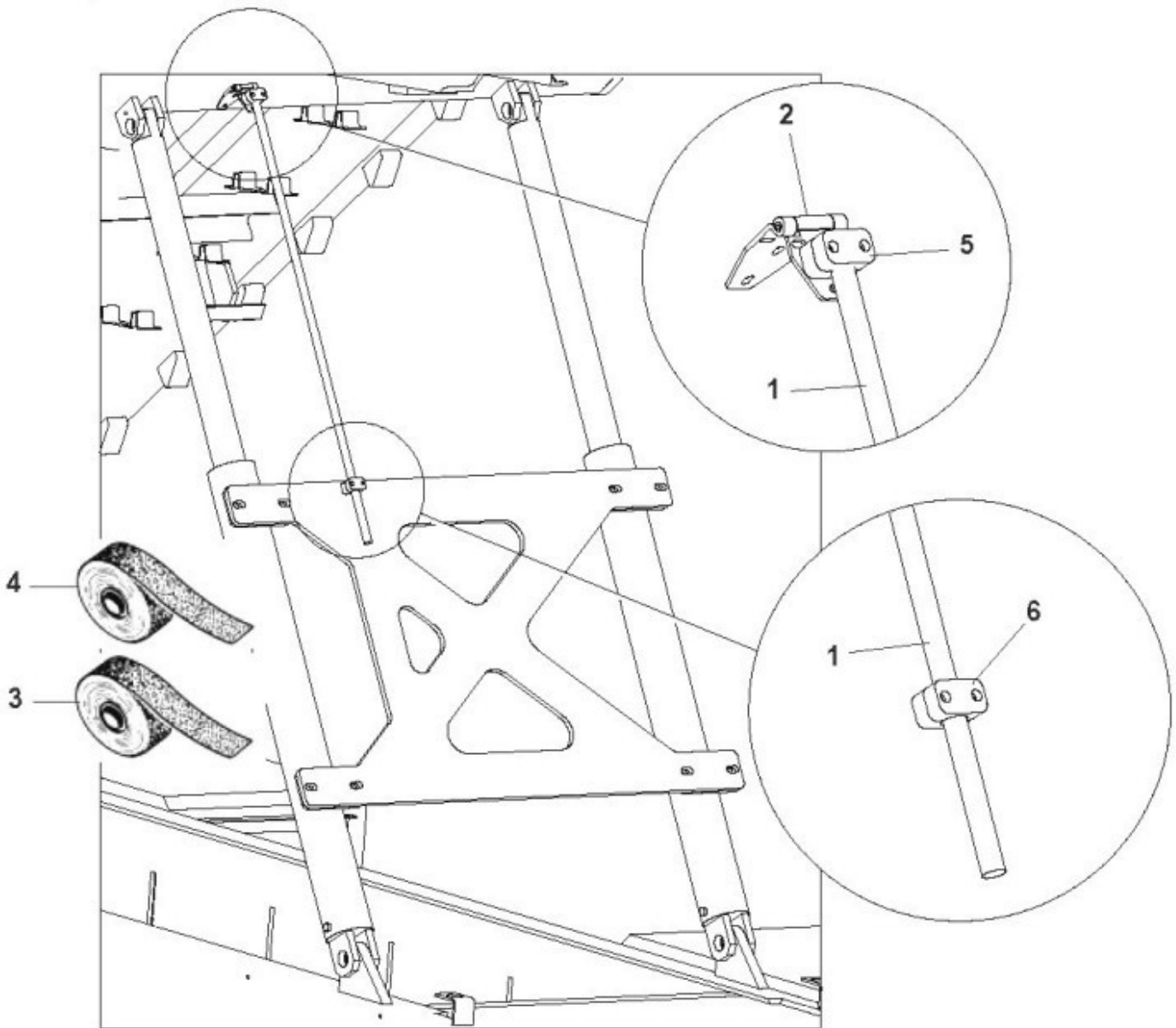
Description

INCLINOMETER - 502962

French Description

INCLINOMETRE - 502962

Chapter 4-3 - Detailed Parts List



Chapter 4-3 - Detailed Parts List

Item	PN	QTY	Details	P	M	O	C
01	9207402	1 EA	ROD / ROND ERTALON				
02	9207446	1 EA	HINGE / CHARNIERE				
03	8733096	0,2M EA	GREEN STICKER / RUBAN ADHESIF VERT				
04	8733097	0,6M EA	YELLOW STICKER / RUBAN ADHESIF JAUNE				
05	3600054	1 EA	CLAMP / COLLIER COQUILLE SIMPLE				
06	3600091	1 EA	CLAMP / COLLIER COQUILLE SIMPLE.				

Page Intentionally Left Blank



Document #30151

Factory Doc#: ABS5S09230001200

Revision:

Category: OPTIONS

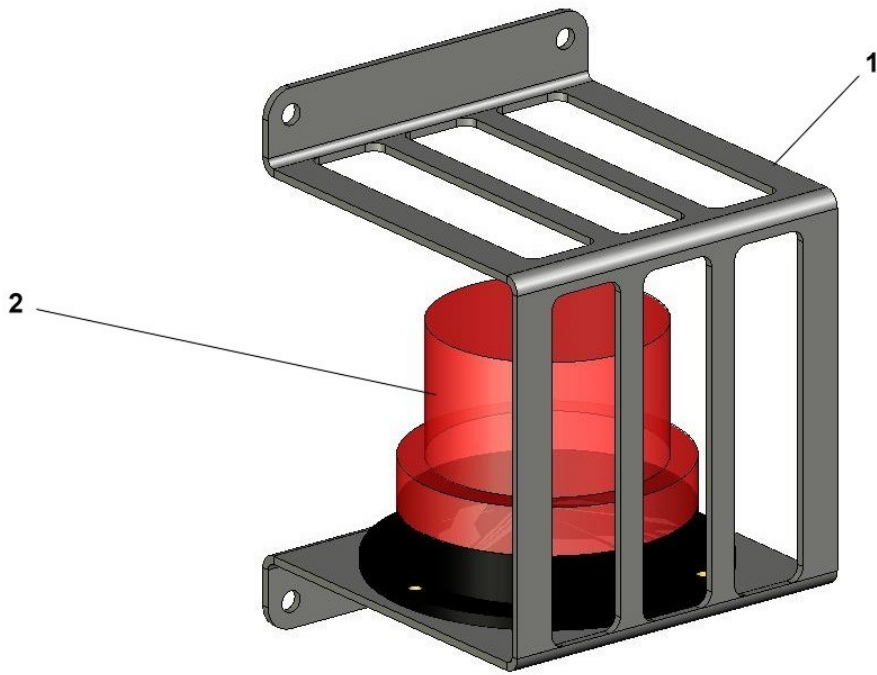
Doc Type: PARTS DIAGRAM

Description

FLASHING BEACON ON PLATFORM - 503397

French Description

FEUX A ECLAT SUR PLATE-FORME - 503397



Chapter 4-3 - Detailed Parts List

Item	PN	QTY	Details	P	M	O	C
01	9409225	1 EA	BRACKET / SUPPORT FEU A ECLAT				
02	-		SEE ELECTRICAL PARTS / VOIR PIECES DETACHEES ELECTRIQUE				

Chapter 4-3 - Detailed Parts List

Page Intentionally Left Blank



Document #3987

Factory Doc#: ABS5S09020001200

Revision:

Category: OPTIONS

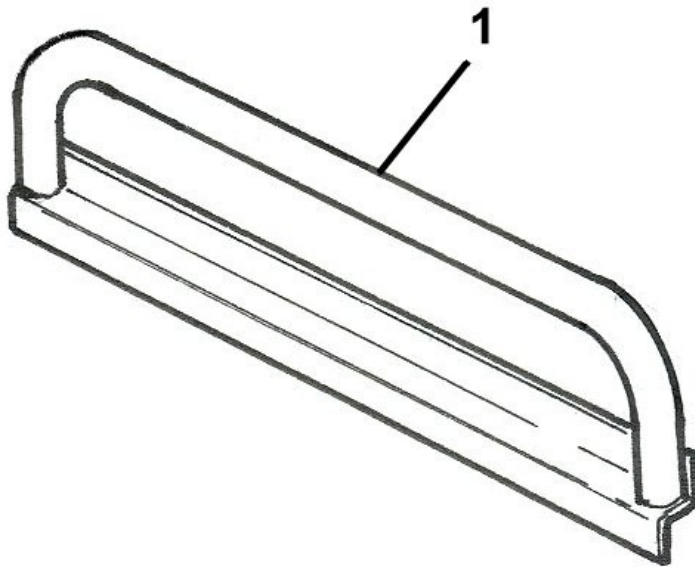
Doc Type: PARTS DIAGRAM

Description

FRONT BUMPER - 502315 - 503737

French Description

PARE-BUFFLES - 502315 - 503737



Chapter 4-3 - Detailed Parts List

Item	PN	QTY	Details	P	M	O	C
01	9503111	1 EA	FRONT BUMPER / PARE-BUFFLES AVANT				

Chapter 4-3 - Detailed Parts List

Page Intentionally Left Blank



Document #34538

Factory Doc#: ABS5S09030011200

Revision:

Category: OPTIONS

Doc Type: PARTS DIAGRAM

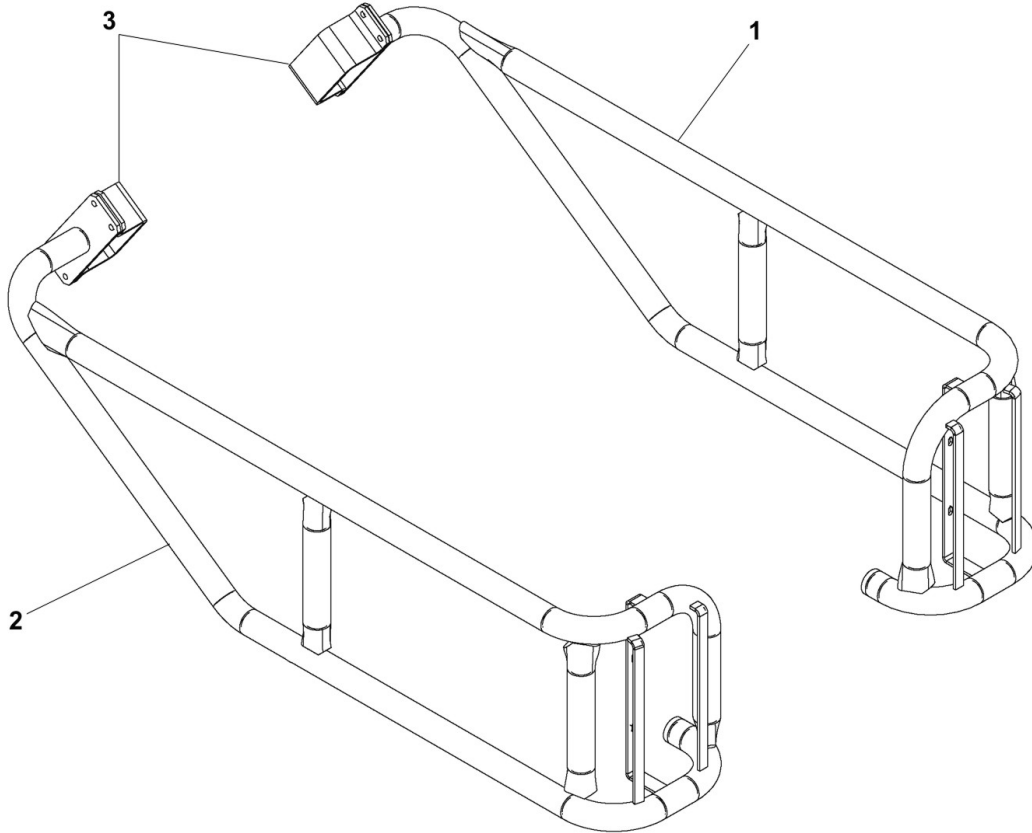
Description

REAR BUMPER - 503736 - 503737

French Description

PARE-BUFFLES ARRIERE - 503736

Chapter 4-3 - Detailed Parts List



Chapter 4-3 - Detailed Parts List

Item	PN	QTY	Details	P	M	O	C
01	9503481	1 EA	LH REAR BUMPER / PARE-BUFFLES ARRIERE GAUCHE				
02	9503482	1 EA	RH REAR BUMPER / PARE-BUFFLES ARRIERE DROIT				
03	9503495	2	FLANGE / CAVALIER				

Chapter 4-3 - Detailed Parts List

Page Intentionally Left Blank



Document #36662

Factory Doc#: ABS5S23010021200

Revision:

Category: STRUCTURAL

Doc Type: PARTS DIAGRAM

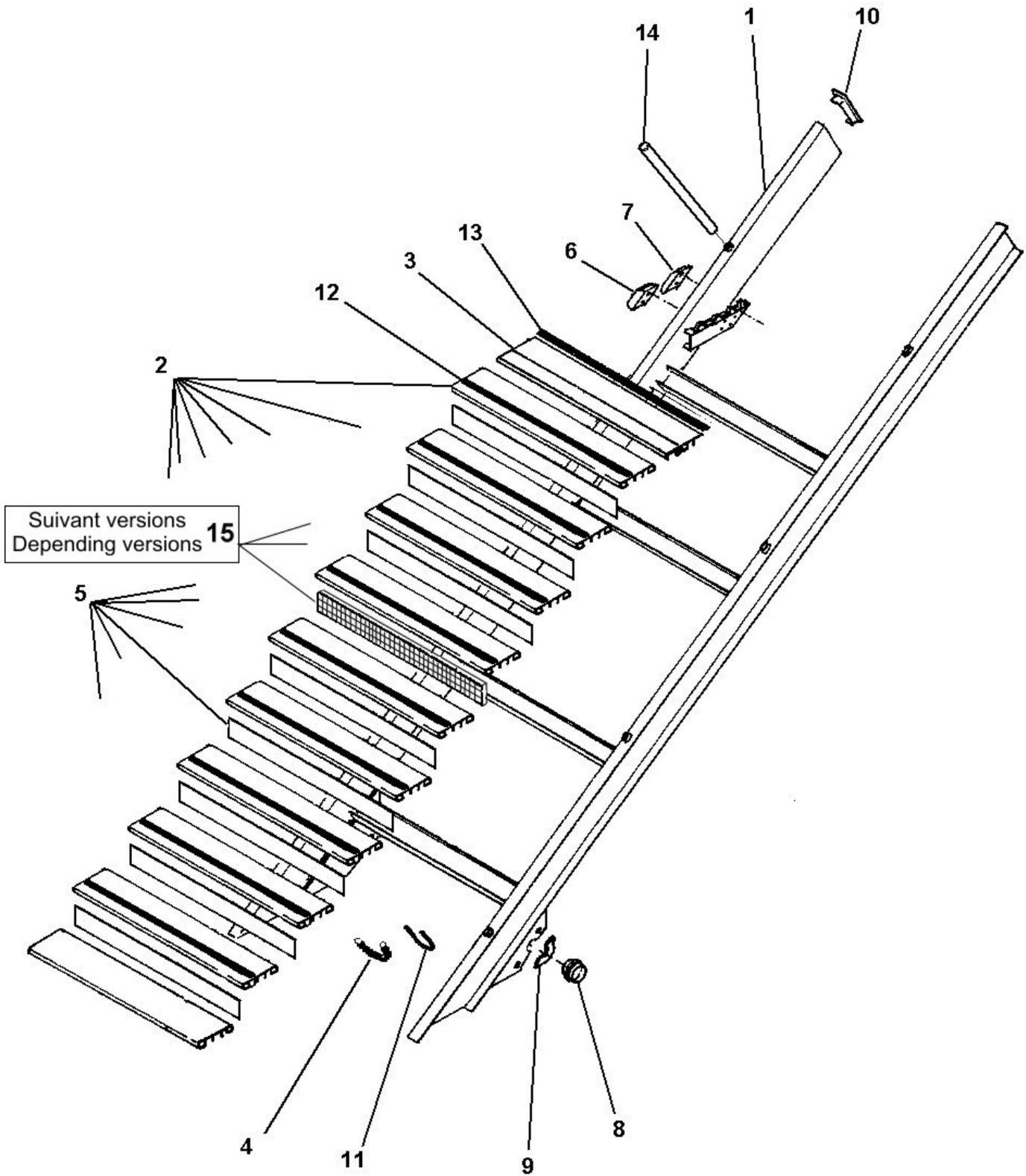
Description

FIXED FLIGHT - 503865

French Description

VOLEE FIXE - 503865

Chapter 4-3 - Detailed Parts List



Chapter 4-3 - Detailed Parts List

Item	PN	QTY	Details	P M O C
01	9503546	1 EA	FIXED FLIGHT / VOLEE FIXE	
02	AL80310	15 EA	STEP / MARCHE	
03	9406853	1 EA	STEP / MARCHE PALIERE	
04	2500127	0,4M EA	PIPE / TUYAU	
05	AL71521	14 ou/or 11 EA	RAISER OF STEP / CONTRE MARCHE	
06	AL41465	1 EA	VERTICAL GUIDE (KIT) / GUIDE VERTICAL (LE JEU)	
07	AL41470	1 EA	LATERAL GUIDE (KIT) / GUIDE LATERAL (LE JEU)	
08	VOIR CHASSIS	2 EA	RING / BAGUE	
09	-	2 EA	HALF BRACKET (with item 1) / DEMI-COQUILLE (avec repère 1)	
10	9406778	2 EA	CAP / BOUCHON	
11	AL05100	1 EA	CALIPER / ETRIER	
12	AL71478	1 EA	ANTISKID STRIP / BANDE ANTI DERAPANTE	
13	AL61312	1 EA	SEAL / COUVRE JOINT	
14	AL42505	8 EA	TUBE / TUBE DE GARDE CORPS	
15	2006061	3	RAISER OF STEP / CONTRE-MARCHE	

Chapter 4-3 - Detailed Parts List

Page Intentionally Left Blank



Document #16230

Factory Doc#: ABS5S23020001201

Revision:

Category: STRUCTURAL

Doc Type: PARTS DIAGRAM

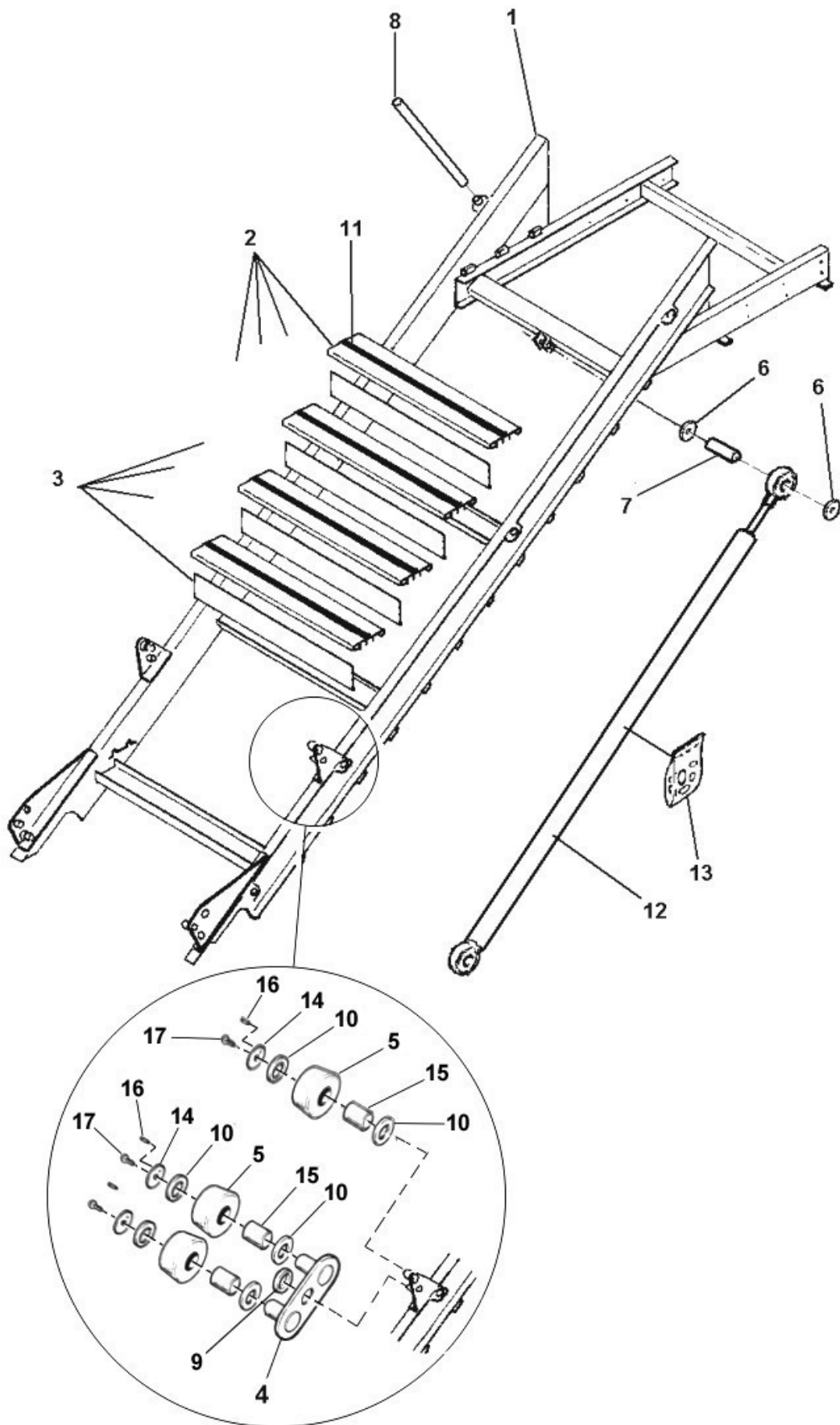
Description

MOBILE FLIGHT - 503123-503865

French Description

VOLEE MOBILE - 503123-503865

Chapter 4-3 - Detailed Parts List



Chapter 4-3 - Detailed Parts List

Item	PN	QTY	Details	P	M	O	C
01	9503144	1 EA	MOBILE FLIGHT / VOLEE MOBILE				
02	AL80320	15 EA	STEP / MARCHE				
03	AL71522	12 EA	RAISER OF STEP / CONTRE MARCHE				
04	9207440	4 EA	TROLLEY / TROLLEY				4
05	9207444	12 EA	ROLLER / GALET				12
06	AL41462	2 EA	STOP PIECE / BUTEE				2
07	AL41464	1 EA	CYLINDER AXLE / AXE VERIN				1
08	AL42505	1 EA	TUBE / TUBE GARDE-CORPS				
09	AL41452	4 EA	TROLLEY HOLDER / ARRET DE TROLLEY				
10	4200419	24 EA	WASHER / RONDELLE				24
11	AL71478	1 EA	ANTISKID STRIP / BANDE ANTI DERAPANTE				
12	6700216	1 EA	CYLINDER / VERIN				1
13	6700216-100	1 EA	SEALS, KIT / POCHETTE DE JOINTS	1		1	
14	9207443	12 EA	ROLLER STOP / ARRET DE GALET				
15	4200418	12 EA	BUSHER / BAGUE				2

Chapter 4-3 - Detailed Parts List

Item	PN	QTY	Details	P	M	O	C
16	3500116	12 EA	PIN / GOUPILLE				
17	3100149	12 EA	SCREW / VIS				



Document #37263

Factory Doc#: ABS5S16040121200

Revision:

Category: STRUCTURAL

Doc Type: PARTS DIAGRAM

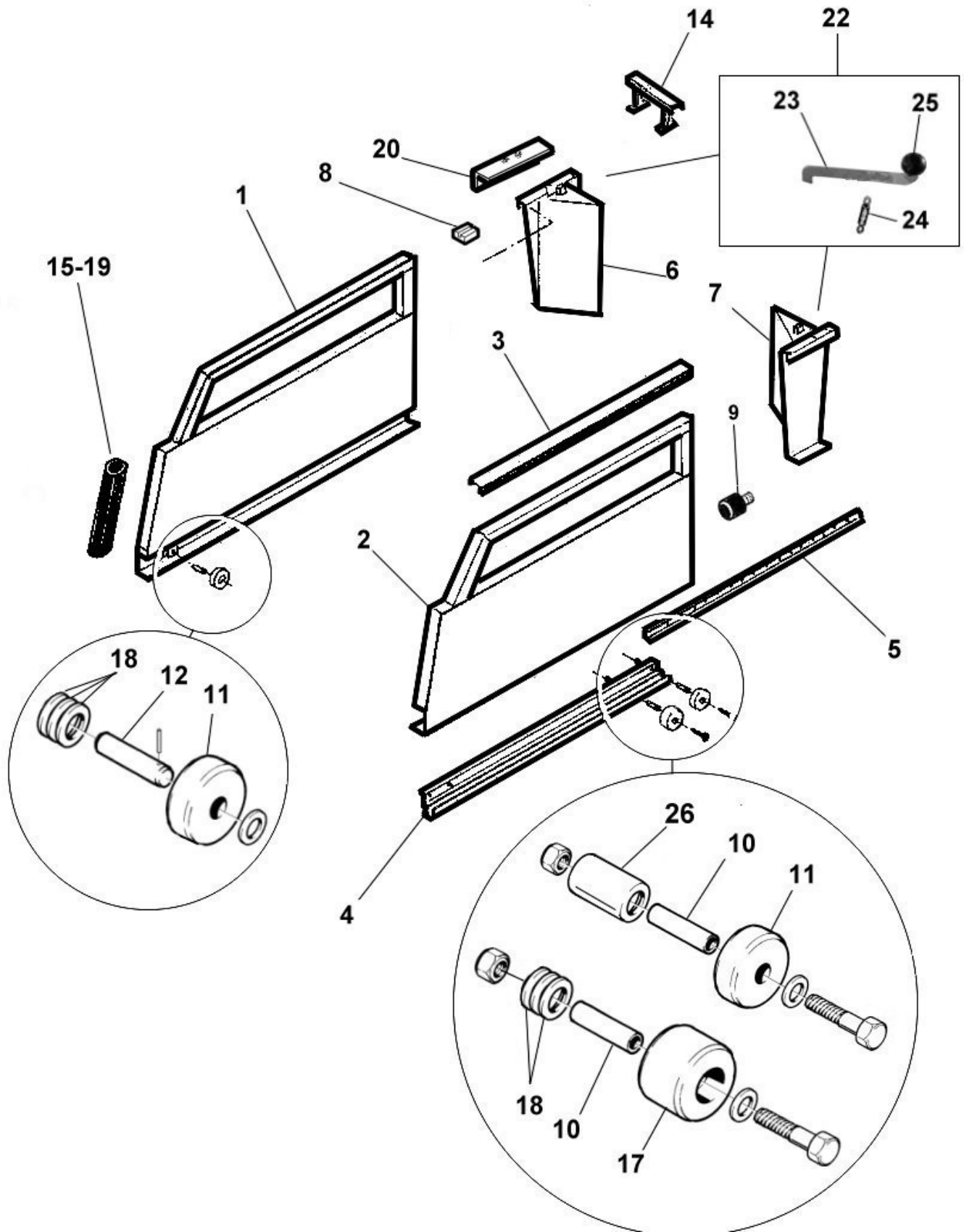
Description

PLATFORM RAILING 2200 - Manual - 503889

French Description

GARDE-CORPS ALU PLATE-FORME 2200 - Manuel - 503889

Chapter 4-3 - Detailed Parts List



Chapter 4-3 - Detailed Parts List

Item	PN	QTY	Details	P	M	O	C
01	9409795	1 EA	RIGHT RAILING / GARDE CORPS DROIT				
02	9409846	1 EA	LEFT RAILING / GARDE CORPS GAUCHE				
03	9503551	2 EA	HAND RAIL PROFILE / PROFIL MAIN COURANTE				
04	AL71507	2 EA	SLIDE / RAIL				
05	AL71501	2 EA	RACK / CREMAILLERE				
06	AL1138917D	1 EA	RIGHT FIXED RAILING / GARDE CORPS FIXE DROIT Note: PF2800				
07	AL1138917G	1 EA	LEFT FIXED RAILING / GARDE CORPS FIXE GAUCHE Note: PF 2800				
08	AL71348	4 EA	NYLIN GUIDE / GUIDE NYLON				
09	AL70835	2 EA	STOP PIECE / BUTEE		2		2
10	AL1438918-002	4 EA	SPACER / ENTRETOISE				4
11	AL41348	4 EA	NYLON ROLLER / GALET NYLON				4
12	AL41349	2 EA	ROLLER AXLE / AXE GALET				2
14	AL1245795	2 EA	GUARD RAIL / RAMBARDE GARDE CORPS FIXE				
15	AL62014	2 EA	BUMPER / PROFIL CAOUTCHOUC Note: 106/103 LG 500				2
17	AL41334	2 EA	ROLLER / GALET				2

Chapter 4-3 - Detailed Parts List

Item	PN	QTY	Details	P	M	O	C
18	3300030	28 EA	WASHER / RONDELLE			12	
19	2100038	2X0.5 EA	PLATE / PLAT ALU				
20	AL42609	2 EA	SAFETY L / CORNIERE DE SECURITE				
22	9206897	2 EA	MANUALY LOCK ASSEMBLY / ENSEMBLE DE VERROUILLAGE MANUEL				
23	9407155	1 EA	HANDLE / POIGNEE				
24	AL70622	1 EA	SPRING / RESSORT				
25	AL47111	1 EA	BALL / BOULE LISSE				
26	9207256	2	SPACER / ENTRETOISE			2	



Document #37262

Factory Doc#: ABS5S23030231200

Revision:

Category: STRUCTURAL

Doc Type: PARTS DIAGRAM

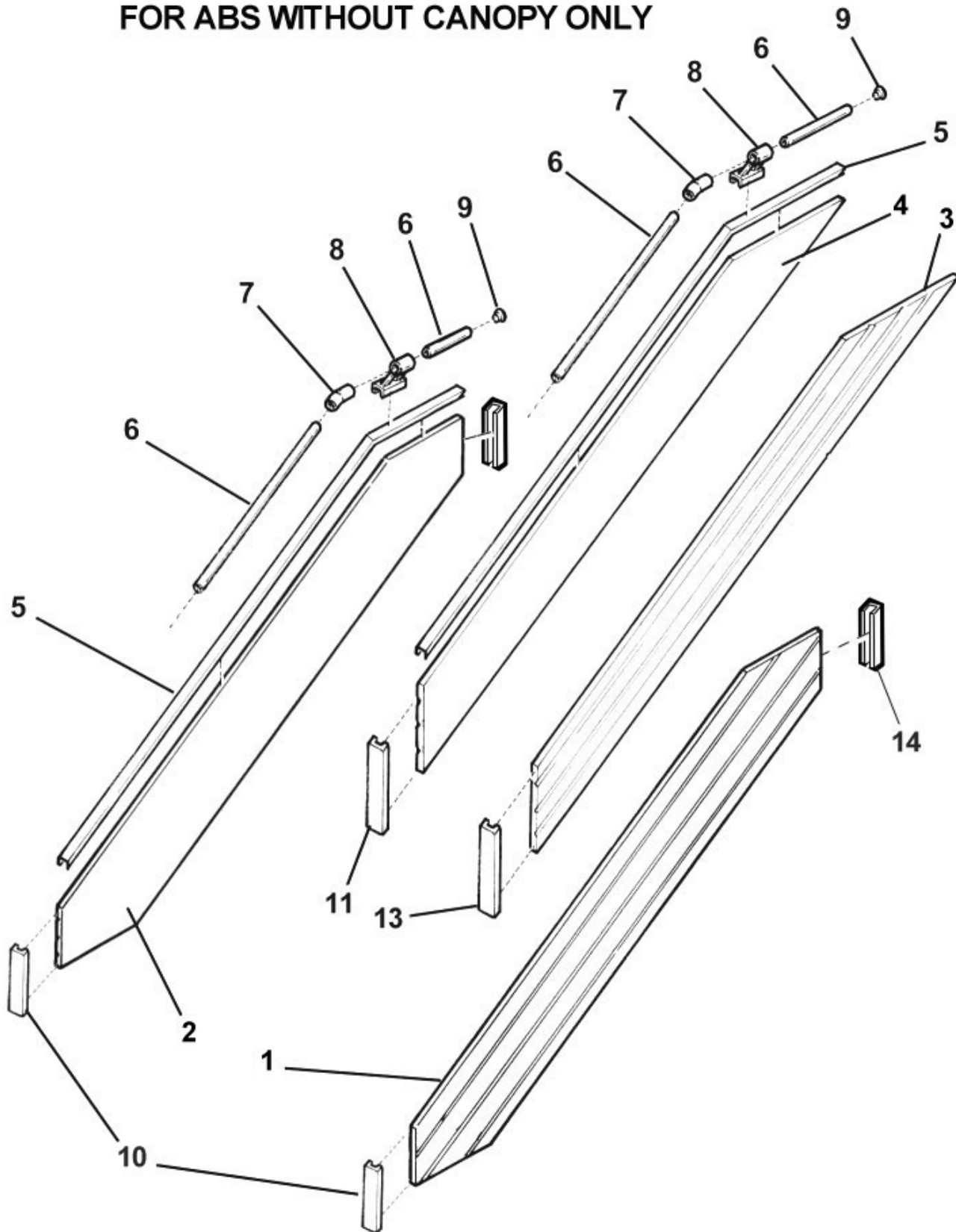
Description

FLIGHT RAILING (WITHOUT CANOPY) - VIP

French Description

GARDE-CORPS VOLEE (SANS CANOPY) - VIP

**SEULEMENT VALABLE POUR ABS SANS CANOPY
FOR ABS WITHOUT CANOPY ONLY**



Chapter 4-3 - Detailed Parts List

Item	PN	QTY	Details	P	M	O	C
01	503465	1 EA	RH RAILING / GARDE-CORPS DROIT				
02	503466	1 EA	LH RAILING / GARDE-CORPS GAUCHE				
03	503463	1 EA	RH RAILING / GARDE-CORPS DROIT				
04	503464	1 EA	LH RAILING / GARDE-CORPS GAUCHE				
05	9503552	1 EA	WOOD PROFILE KIT / KIT PROFIL BOIS				
06	9409973	1 EA	HAND RAIL KIT / KIT MAIN COURANTE				
07	9409995	4 EA	HAND RAIL ELBOW / COUDE MAIN COURANTE				
08	9409977	20 EA	HAND RAIL FIXATION / FIXATION MAIN COURANTE				
09	4000140	8 EA	PLUG / BOUCHON				
10	9406724	2	BUMPER / BUTOIR VOLEE MOBILE				
11	9406723	2	BUMPER / BUTOIR VOLEE FIXE				
12	9503553	1	WOOD PROFILE KIT / KIT PROFIL BOIS				
NR	9206840	1 EA	SCREWED, KIT / KIT VISSERIE				

Chapter 4-3 - Detailed Parts List

Page Intentionally Left Blank



Document #30705

Factory Doc#: ABS5S03010301200

Revision:

Category: SUSPENSION

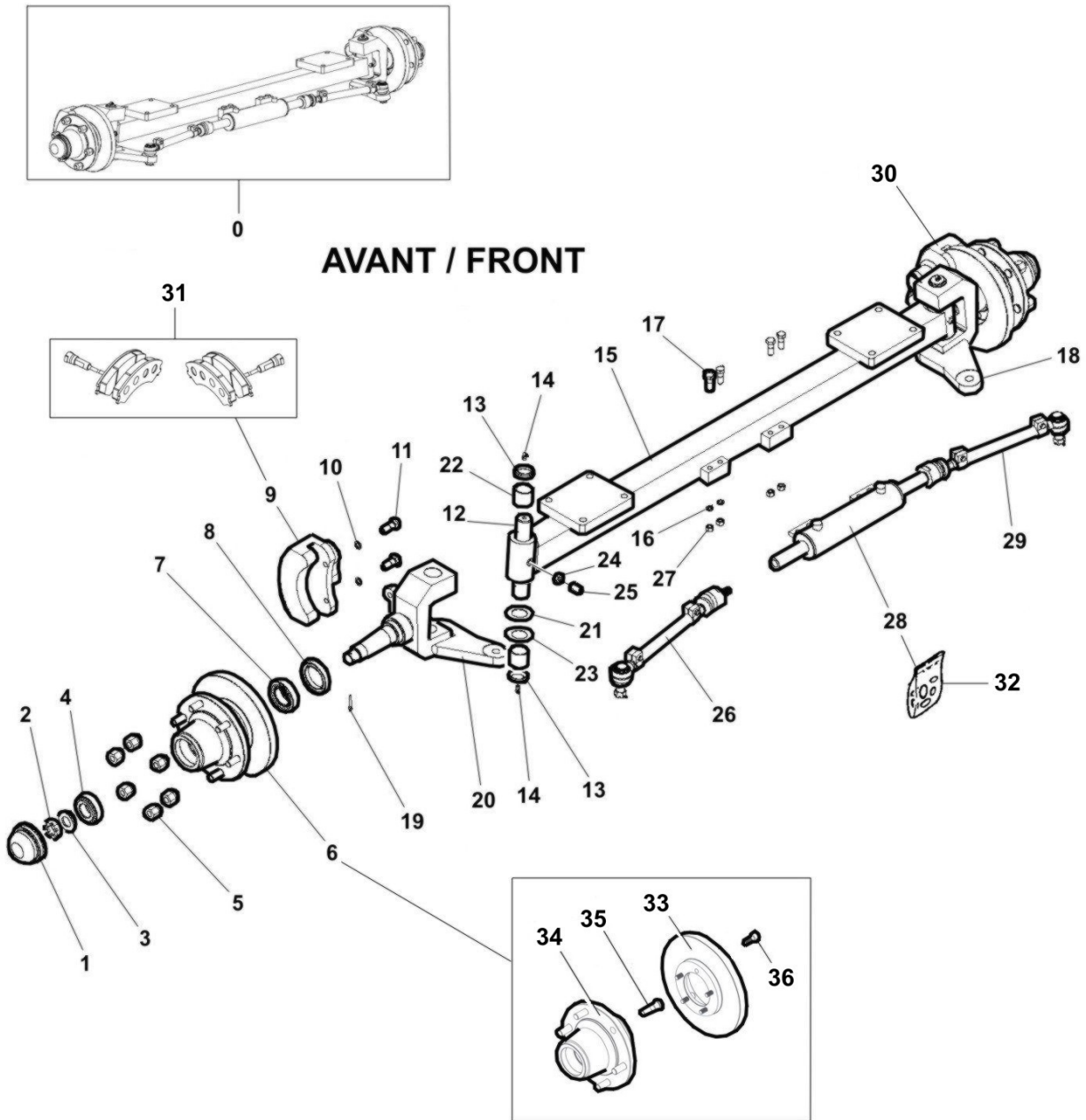
Doc Type: PARTS DIAGRAM

Description

FRONT AXLE - 5400053

French Description

ESSIEU AVANT - 5400053



Chapter 4-3 - Detailed Parts List

Item	PN	QTY	Details	P	M	O	C
00	5400053	1 EA	FRONT AXLE ASSY / ENSEMBLE ESSIEU DIRECT.				
01	5400053-001	2 EA	CAP / BOUCHON				
02	5400053-002	2 EA	NUT / ECROU				
03	5400053-003	2 EA	WASHER / RONDELLE				
04	5400053-004	2 EA	BEARING / ROULEMENT				2
05	5400053-005	12 EA	WHEEL NUT / ECROU DE ROUE			3	
06	5400053-006	2 EA	HUB ASSY / MOYEU ASSEMBLE				
07	5400053-007	2 EA	BEARING / ROULEMENT				2
08	5400053-008	2 EA	SEAL / JOINT				
09	5400053-009	1 EA	LH BRAKE CALIPER ASSY / S/ENS ETRIER GAUCHE				1
10	5400053-010	4 EA	WASHER / RONDELLE				
11	5400053-011	4 EA	SCREW / VIS				
12	5400053-012	2 EA	PIN / AXE DE PIVOT				
13	5400053-013	4 EA	CAP / BOUCHON DE MOYEU				
14	5400053-014	4 EA	GREASER / GRAISSEUR				

Chapter 4-3 - Detailed Parts List

Item	PN	QTY	Details	P	M	O	C
15	5400053-015	1 EA	AXLE BODY / S/ENS CORPS D'ESSIEU				
16	5400053-016	4 EA	WASHER / RONDELLE				
17	5400053-017	4 EA	SCREW / VIS				
18	5400053-018	1 EA	RH ROCKET ASSY / S/ENSEMBLE FUSEE DROITE				1
19	5400053-019	2 EA	PIN / GOUPILLE				
20	5400053-020	1 EA	LH ROCKET ASSY / S/ENSEMBLE FUSEE GAUCHE				1
21	5400053-021	4 EA	WASHER / RONDELLE				
22	5400053-022	4 EA	BUSH / BAGUE				4
23	5400053-023	2 EA	WASHER / RONDELLE				
24	5400053-024	2 EA	NUT / ECROU		2		
25	5400053-025	2 EA	SCREW / VIS				
26	5400053-026	1 EA	LH STEERING ROD / BARRE AVEC ROTULE GAUCHE				1
27	5400053-027	4 EA	NUT / ECROU				
28	5400053-028	1 EA	CYLINDER / VERIN				1
29	5400053-029	1 EA	RH STEERING ROD / BARRE AVEC ROTULE DROITE				1
30	5400053-036	1	RH BRAKE CALIPER ASSY / S/ENS ETRIER DROIT				1

Chapter 4-3 - Detailed Parts List

Item	PN	QTY	Details	P	M	O	C
31	5400053-030	1 EA	PAD KIT / JEU DE PLAQUETTES	1		1	
32	5400053-031	1 EA	SEALS KIT / POCHETTE DE JOINTS	1		1	
33	5400053-032	2	BRAKE DISC / DISQUE DE FREIN				
34	5400053-033	2	HUB / MOYEU				
35	5400053-034	12	WHEEL SCREW / AXE DE ROUE				3
36	5400053-035	12	SCREW / VIS				

Chapter 4-3 - Detailed Parts List

Page Intentionally Left Blank



Document #36448

Factory Doc#: ABS5S03030201200

Revision:

Category: SUSPENSION

Doc Type: PARTS DIAGRAM

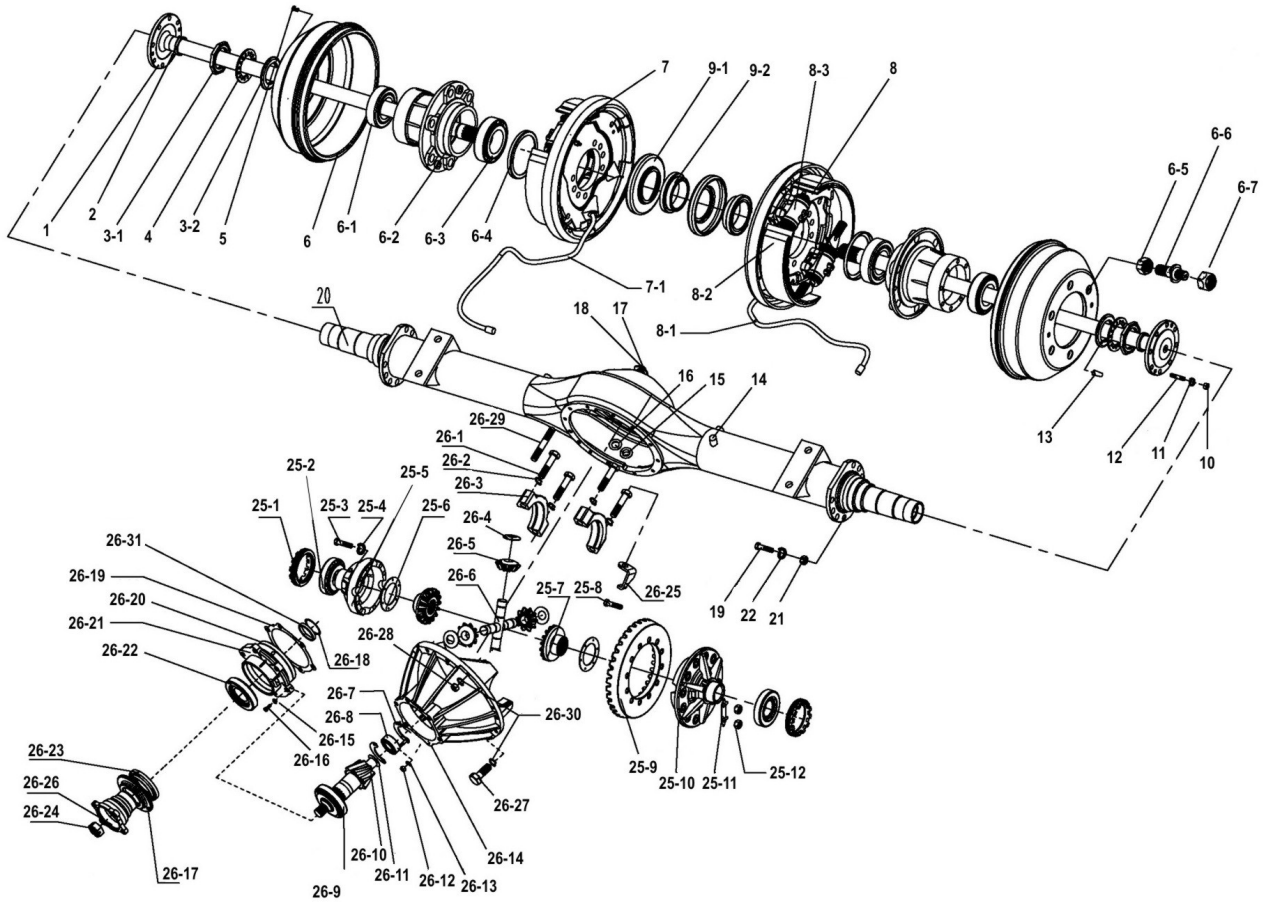
Description

REAR AXLE - TLD - 5300033

French Description

PONT ARRIERE - TLD - 5300033

Chapter 4-3 - Detailed Parts List



Chapter 4-3 - Detailed Parts List

Item	PN	QTY	Details	P	M	O	C
00	5300033	1	REAR AXLE / PONT ARRIERE				1
01	5300026-001	2	SHAFT / ARBRE				
02	5300026-002	2	INNER OIL SEAL / JOINT			1	
03-01	5300026-003	2	NUT / ECROU				
03-02	5300026-411	2	NUT / ECROU				
04	5300026-004	2	LOCK WASHER / RONDELLE				
05	5300026-005	1	SCREW / VIS				
06	5300026-006	2	REAR BRAKE DRUM / TAMBOUR DE FREIN ARRIERE			2	
06-01	5300026-062	2	OUTER BEARING / ROULEMENT				
06-02	5300026-063	2	REAR HUB / MOYEU				
06-03	5300026-064	2	INNER BEARING / ROULEMENT				
06-04	5300026-065	2	INNER OIL SEAL / JOINT				
06-05	5300026-308	12	INNER WHEEL NUT / ECROU				
06-06	5300026-066	12	SCREW / GOUJON DE ROUE		3		
06-07	AL71159	12	WHEEL NUT / ECROU DE ROUE		3		

Chapter 4-3 - Detailed Parts List

Item	PN	QTY	Details	P	M	O	C
07	5300026-008	1	BRAKE ASSY / FREIN ARRIERE DROIT			1	
07-01	5300026-084	1	HANDY DRAUGHT ROPE / FLEXIBLE DE FREIN		1	1	
08	5300026-007	1	BRAKE ASSY / FREIN ARRIERE GAUCHE			1	
08-01	5300026-071	1	HANDY DRAUGHT ROPE / FLEXIBLE DE FREIN		1	1	
08-02	5300026-083	2	ATTROTION FLAKE / GARNITURE DE FREIN		2		
08-03	5300026-082	2	WHEEL CROCK / CYLINDRE DE ROUE				
09-01	5300026-061	2	REAR BRAKE DRUM / TAMBOUR				
09-2	5300026-014	2	KNOT / BRIDE				
10	5300026-009	16	SHAFT NUT / ECROU				
11	5300026-010	16	HEAVY SPRING WASHER / RONDELLE				
12	5300026-011	16	BOLT / GOUJON				
13	5300026-012	2	LOCATING PIN / PION DE CENTRAGE				
14	5300026-015	1	OPEN WIDE AEREAT STOPPER / PRISE D'AIR				
15	5300026-016	1	MAGNETISM WHORL STOPPER / BOUCHON				
16	5300026-017	1	GASKET / JOINT				
17	5300026-018	1	GASKET / JOINT				

Chapter 4-3 - Detailed Parts List

Item	PN	QTY	Details	P	M	O	C
18	5300026-019	1	STOPPER / BOUCHON				
19	5300026-023	16	BOLT / VIS				
20	5300026-020	1	BACK BRIDGE SHELL ASSEMBLY / CORPS DE PONT				
21	5300026-021	16	NUT / ECROU				
22	5300026-022	16	HEAVY SPRING WASHER / RONDELLE				
25-01	5300026-420	2	NUT / ECROU				
25-02	5300026-421	2	BEARING / ROULEMENT				
25-03	5300026-422	12	SCREW / VIS				
25-04	5300026-423	12	HEAVY SPRING WASHER / RONDELLE				
25-05	5300026-424	1	REDUCER SHELL LEFT / CARTER				
25-06	5300026-425	2	SHIM / CALE				
25-07	5300026-426	2	GEAR / PIGNON				
25-08	5300026-412	6	SCREW / VIS				
25-09	5300026-427	1	DRIVE GEAR (WITH 26-10) / COUPLE CONIQUE (AVEC 26-10)				
25-10	5300026-028	1	REDUCER SHELL-RIGHT / CARTER				
25-11	5300026-428	6	LOCK SPACER / ENTRETOISE				

Chapter 4-3 - Detailed Parts List

Item	PN	QTY	Details	P	M	O	C
25-12	5300026-429	12	NUT / ECROU				
26-01	5300026-024	4	SCREW / VIS				
26-02	5300026-025	4	RONDELLE / WASHER				
26-03	5300026-431	2	COVER BEARING / CAGE				
26-04	5300026-432	4	SHIM / CALE				
26-05	5300026-433	4	GEAR / PIGNON				
26-06	5300026-434	1	AXLE, GEAR / PLANETAIRE				
26-07	5300026-435	2	SPACER, SPRING / ENTRETOISE				
26-08	5300026-436	2	BEARING / ROULEMENT				
26-09	5300026-297	1	BEARING, DRIVE GEAR / ROULEMENT				
26-10	5300026-437	1	DRIVE GEAR (WITH 25-09) / COUPLE CONIQUE (AVEC 25-09)				
26-11	5300026-438	1	BAFFLE, BEARING / CIRCLIPS				
26-12	5300026-439	2	NUT / ECROU				
26-13	5300026-298	2	HEAVY SPRING WASHER / RONDELLE				
26-14	5300026-299	1	REDUCER SHELL ASSEMBLY / NEZ DE PONT				
26-15	5300026-295	6	HEAVY SPRING WASHER / RONDELLE				

Chapter 4-3 - Detailed Parts List

Item	PN	QTY	Details	P	M	O	C
26-16	5300026-296	6	BOLT / VIS				
26-17	5300026-440	1	COVER / BRIDE				
26-18	5300026-201	1	SHIM / CALE				
26-19	5300026-292	1	SHIM / CALE				
26-20	5300026-441	1	O RING / JOINT				
26-21	5300026-293	1	PRINCIPLE BEARING / ROULEMENT				
26-22	5300026-294	1	BEARING / ROULEMENT				
26-23	5300026-442	1	SEAL / JOINT				
26-24	5300026-443	1	NUT / ECROU				
26-25	5300026-444	4	LOCKING PLATE / VERROUILLAGE				
26-26	5300026-445	1	FLANGE / BRIDE				
26-27	5300026-026	9	BOLT / VIS				
26-28	5300026-410	4	NUT / ECROU				
26-29	5300026-446	4	SCREW / VIS				
26-30	5300026-027	13	HEAVY SPRING WASHER / RONDELLE				
26-31	5300026-447	1	PLUNGER RING / CALE				

Chapter 4-3 - Detailed Parts List

Page Intentionally Left Blank



Document #35089

Factory Doc#: 0000S02020101200

Revision:

Category: TRANSMISSION

Doc Type: PARTS DIAGRAM

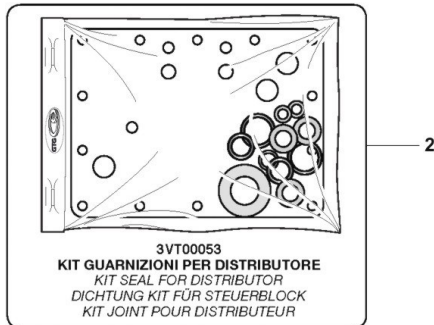
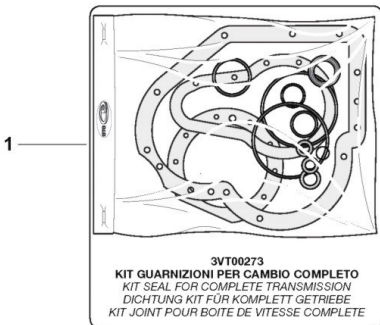
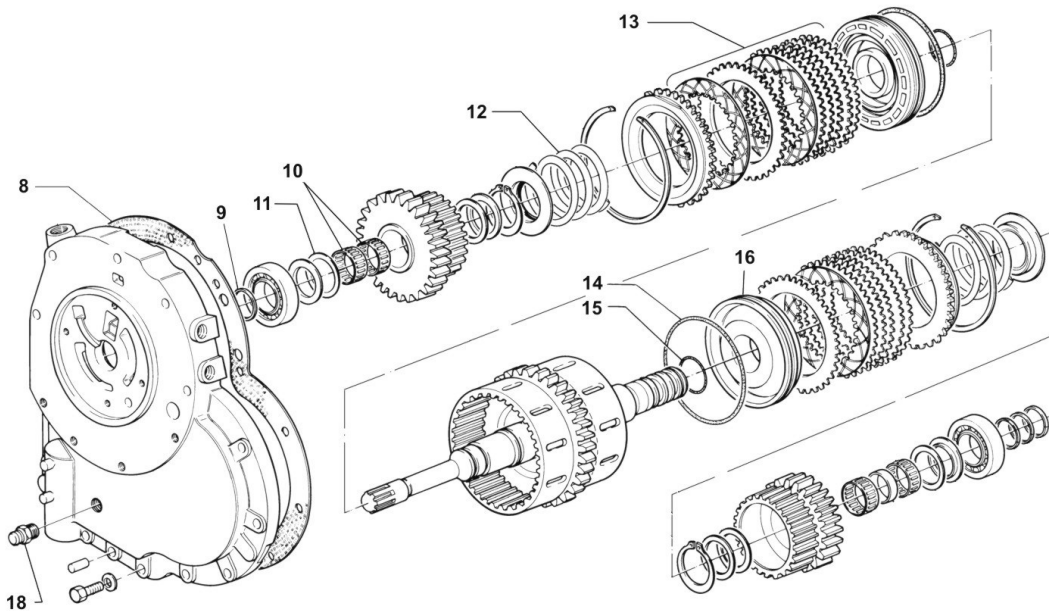
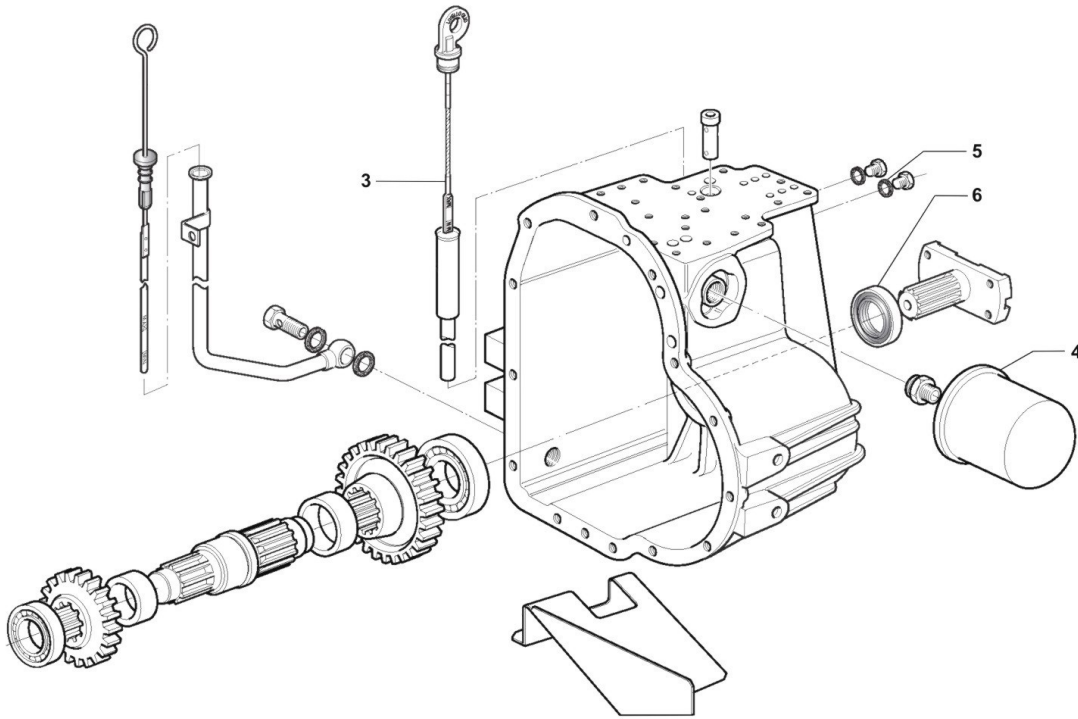
Description

GEAR BOX SPARE PARTS - PST2 PART 1/3 - 1038692-1038736

French Description

PIECES DETACHEES BOITE DE VITESSES - PST2 PARTIE 1/3 - 1038692-1038736

Chapter 4-3 - Detailed Parts List



Chapter 4-3 - Detailed Parts List

Item	PN	QTY	Details	P	M	O	C
01	1038692-006	1	SEAL KIT FOR TRANSMISSION / KIT;JOINT;TRANSMISSION		1	1	
02	1038692-007	1	SEAL KIT FOR DISTRIBUTOR / KIT;JOINT;DISTRIBUTEUR		1	1	
03	5200075-018	1	OIL LEVEL ROD / TIGE;NIVEAU;HUILE		1	1	
04	5200075-001	1	CARTRIDGE FILTER / FILTRE · HUILE	4			
05	5200075-045	2	SEAL / JOINT		2	2	
06	5200075-040	1	GROMMET / BAGUE D'ETANCHEITE		1	1	
08	5200075-020	1	SEAL / JOINT		1	1	
09	5200075-038	1	GROMMET / BAGUE;ETANCHEITE		1	1	
10	5200075-037	4	GAUGE / CAGE		4	4	
11	5200075-017	4	THRUST BEARING / CRAPAUDINE		4	4	
12	5200075-006	2	SPRING / RESSORT		2	2	
13	5200075-028	2	CLUTCH KIT / KIT PACK EMBRAYAGE		2	2	
14	5200075-041	2	SEAL / JOINT		2	2	
15	5200075-036	2	SEAL / JOINT		2	2	
16	5200075-019	1	PISTON / PISTON		1	1	

Chapter 4-3 - Detailed Parts List

Item	PN	QTY	Details	P	M	O	C
17	1038692-002	1	PISTON / PISTON		1	1	
18	5200075-024	1	SWITCH / INTERRUPTEUR		1	1	



Document #35092

Factory Doc#: 0000S02020111200

Revision:

Category: TRANSMISSION

Doc Type: PARTS DIAGRAM

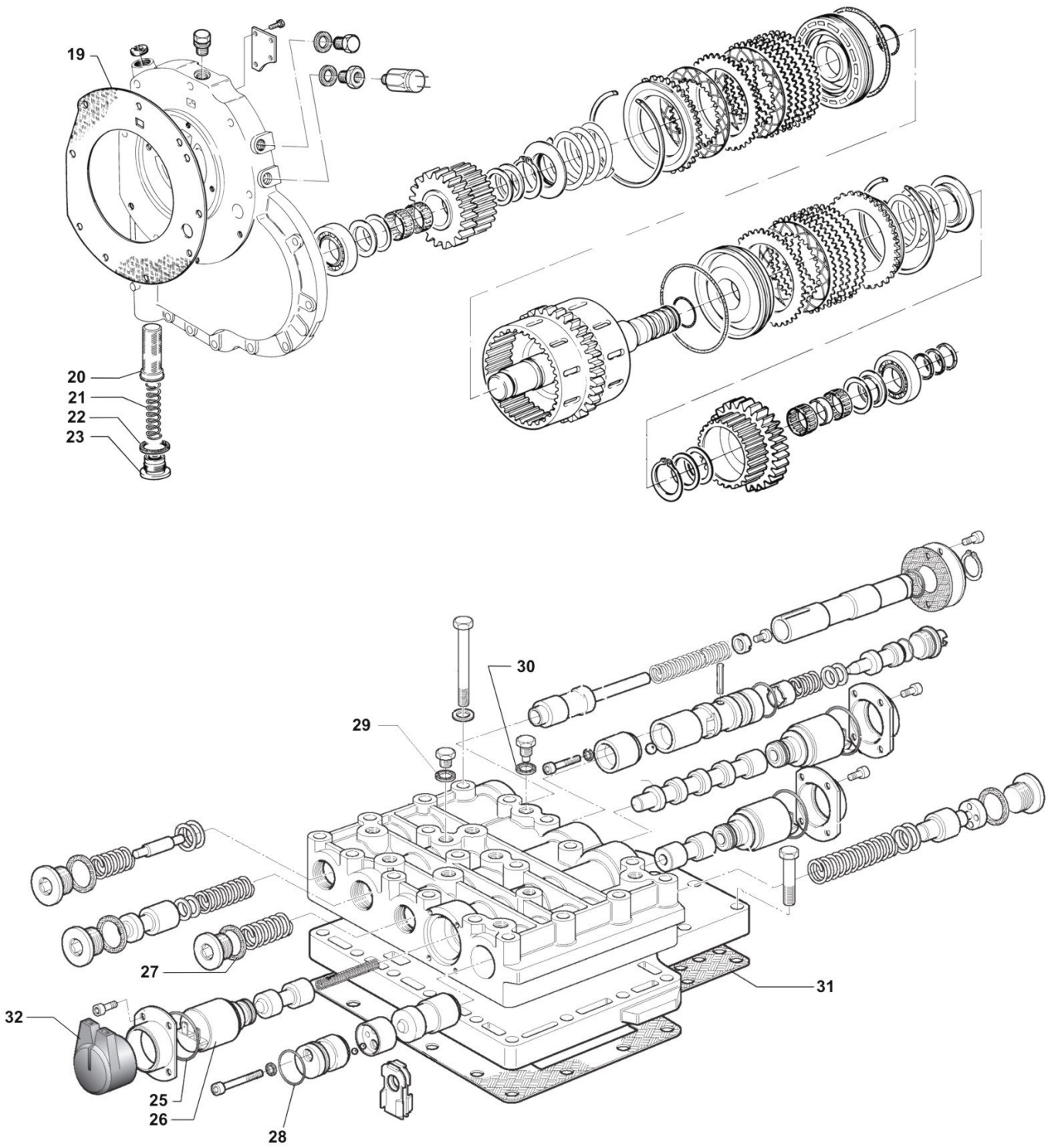
Description

GEAR BOX SPARE PARTS - PST2 PART 2/3 - 1038692-1038736

French Description

PIECES DETACHEES BOITE DE VITESSES - PST2 PARTIE 2/3 - 1038692-1038736

Chapter 4-3 - Detailed Parts List



Chapter 4-3 - Detailed Parts List

Item	PN	QTY	Details	P	M	O	C
19	5200075-016	1	SEAL / JOINT		1	1	
20	5200075-009	1	FILTER / FILTRE		1	1	
21	5200075-010	1	SPRING / RESSORT		1	1	
22	5200075-047	1	SEAL / JOINT		1	1	
23	5200075-015	1	PLUG / BOUCHON		1	1	
24	5200075-046	3	SEAL / JOINT		3	3	
25	1038692-011	3	SEAL / JOINT		3	3	
26	1038692-001	3	SOLENOID VALVE / ELECTROVANNE		3	3	
27	1038692-012	1	SEAL / JOINT		1	1	
28	1038692-010	2	SEAL / JOINT		2	2	
29	5200075-045	7	SEAL / JOINT		7	7	
30	5200075-045	2	SEAL / JOINT		2	2	
31	1038692-003	1	SEAL / JOINT		1	1	
32	1038692-004	3	COWL / CAPUCHON		3	3	
33-NR	1038692-005	1	COMPLETE DISTRIBUTOR / DISTRIBUTEUR;COMPLET		1	1	

Chapter 4-3 - Detailed Parts List

Page Intentionally Left Blank



Document #35093

Factory Doc#: 0000S02020121200

Revision:

Category: TRANSMISSION

Doc Type: PARTS DIAGRAM

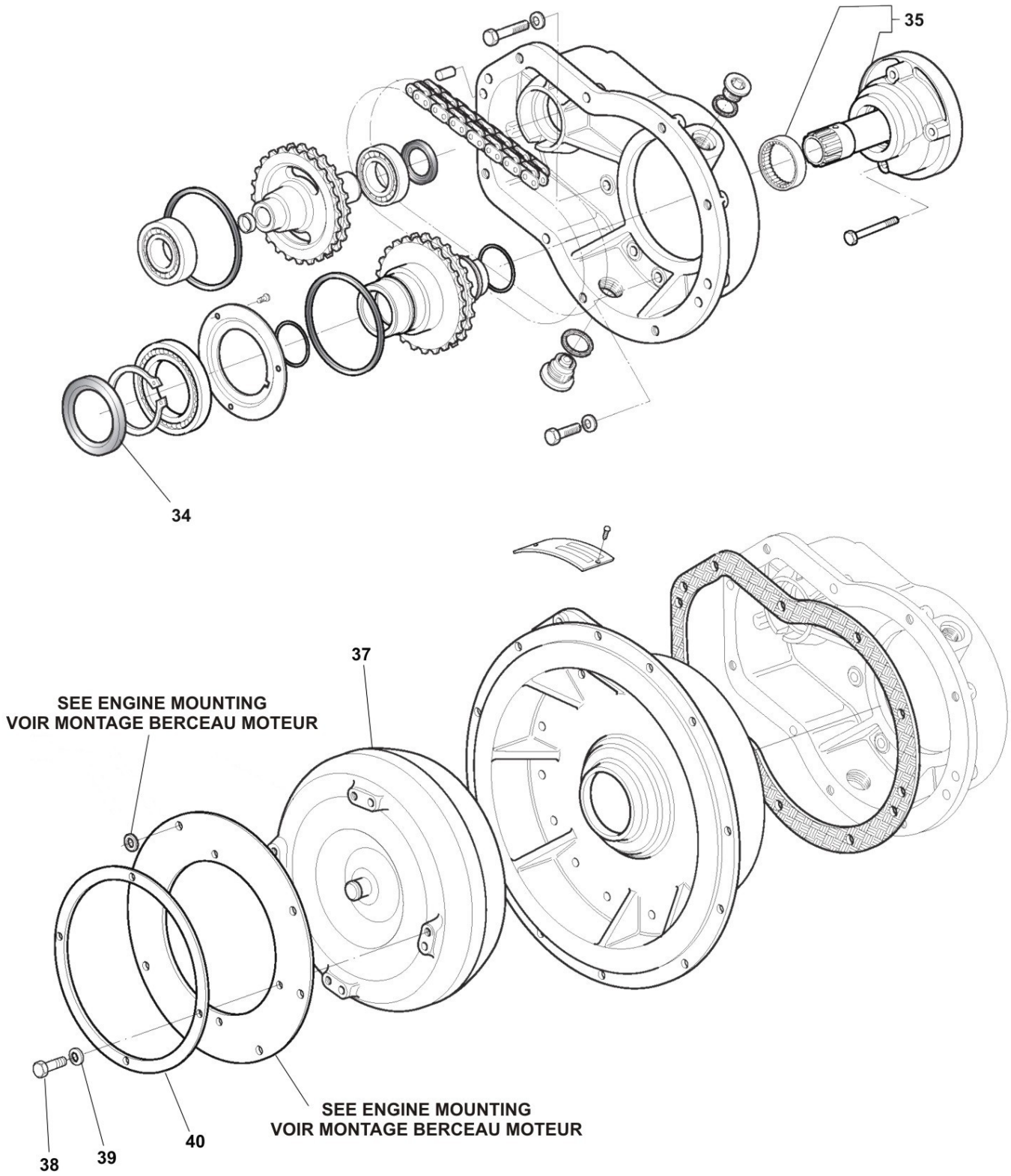
Description

GEAR BOX SPARE PARTS - PST2 PART 3/3 - 1038692-1038736

French Description

PIECES DETACHEES BOITE DE VITESSES - PST2 PARTIE 3/3- 1038692-1038736

Chapter 4-3 - Detailed Parts List



Chapter 4-3 - Detailed Parts List

Item	PN	QTY	Details	P	M	O	C
34	1038692-015	1	GROMMET / BAGUE;ETANCHEITE		1	1	
35	1038692-008	1	COMPLETE OIL PUMP / POMPE;HUILE;COMPLETE		1	1	
37	1038692-014	1	CONVERTER / CONVERTISSEUR		1	1	
38	1038736-004	4	HEX BOLT / VIS				
39	1038736-005	4	CONNICAL WASHER / RONDELLE				
40	1038736-002	1	RE-INFORCING RING / ENTRETOISE				

Chapter 4-3 - Detailed Parts List

Page Intentionally Left Blank



Document #36636

Factory Doc#: BLTHS01090201200

Revision:

Category: TRANSMISSION

Doc Type: PARTS DIAGRAM

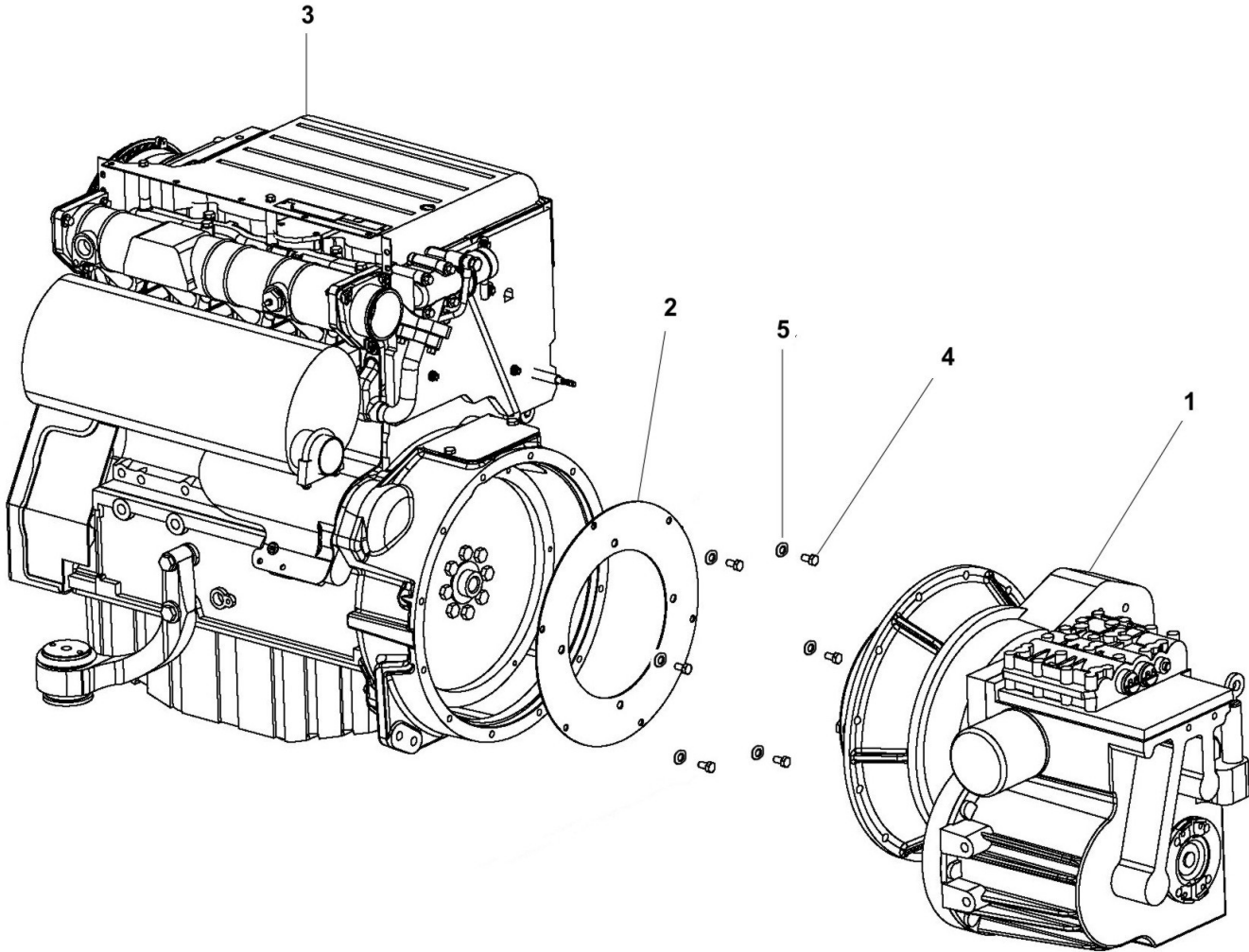
Description

ENGINE D2011/GEAR BOX PST2 COUPLING - 1040298

French Description

ACCOUPLLEMENT MOTEUR D2011/BOITE DE VITESSE PST2 - 1040298

Chapter 4-3 - Detailed Parts List



Chapter 4-3 - Detailed Parts List

Item	PN	QTY	Details	P	M	O	C
01	1038736	1	PST2 TRANSMISSION / BOITE DE VITESSE PST2				
04	1038712	1	FLEXPLATE / DIAPHRAGME PST2				1
06	5000136	1	D2011 ENGINE / MOTEUR D2011				
07	3133339	6	SCREW / VIS				6
08	041500	6	SPECIAL WASHER / RONDELLE SPECIALE				6

Chapter 4-3 - Detailed Parts List

Page Intentionally Left Blank